

Installation & Adjusting Instructions for 459015

Data Decoupled Power Supply for AS-Interface Networks

The StoneL AS-Interface power supply provides reliable power for AS-Interface networks

Mounting The Power Supply

1. The power supply features convenient DIN Rail mounting. Locate the position on the rail where the power supply will be located.
2. The power supply is designed to be mounted such that the venting holes are at the top and bottom.

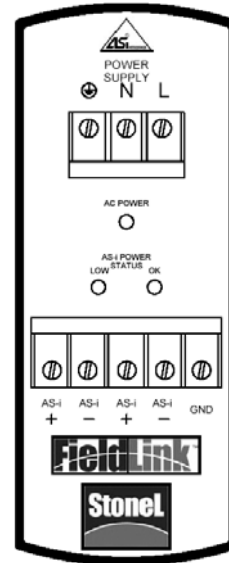
Attaching Wires

1. The power supply has large screw terminals on the front side. Wires are to be stripped and secured using the termination points.
2. Follow all applicable Electrical codes and other regulations.

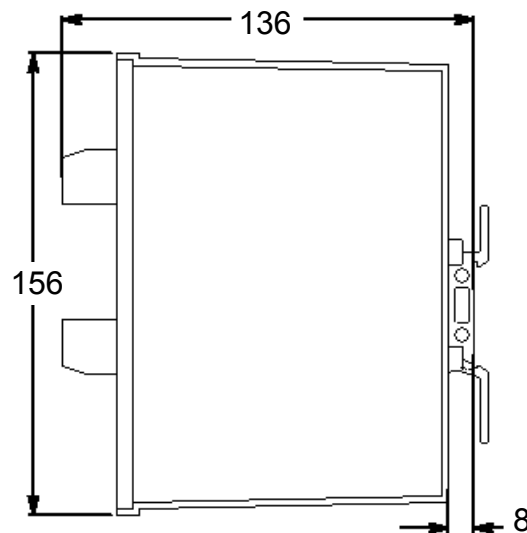
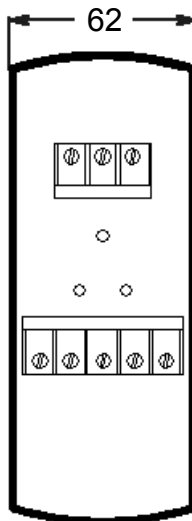
Enclosure Requirements

1. Unit is rated to IP20, In most applications this supply will need to be mounted in an enclosure.
2. Unit is FM Approved for Class 1, Division 2 applications and is a Class 2 power source.

This power supply depends on convection for cooling, please ensure that the airflow is not obstructed and the unit is positioned with the vents at the top and bottom.



Dimensions (in mm)



StoneL Corporation
One StoneL Dr
26275 US Hwy 59
Fergus Falls, MN 56537
USA

Telephone: 218.739.5774
Toll Free: 800.843.7866
Fax: 218.739.5776
E-mail: sales@stonel.com
Website: www.stonel.com

Output

Output Voltage	30.55 VDC +/- 3.4%
Output Power	85 Watts
Output Current	2.8 Amps(min)
Display LED's	Output OK - Green LED Output Low - Red LED
Current Limit	2.9 Amps

Data Decoupling

AS-i Impedance	Per IEC62026-2:2000
----------------	---------------------

Enclosure Ratings

Ingress Protection	IP20
Mounting	Din Rail (TS35)
Housing Materials	Polycarbonate
Weight	635g (1.4 lbs)
Dimensions(mm)	62x156x123 (LxWxH)

Approvals	FM Approved Class I, Division 2, Groups A,B,C,D Class 2 Power Source
-----------	---



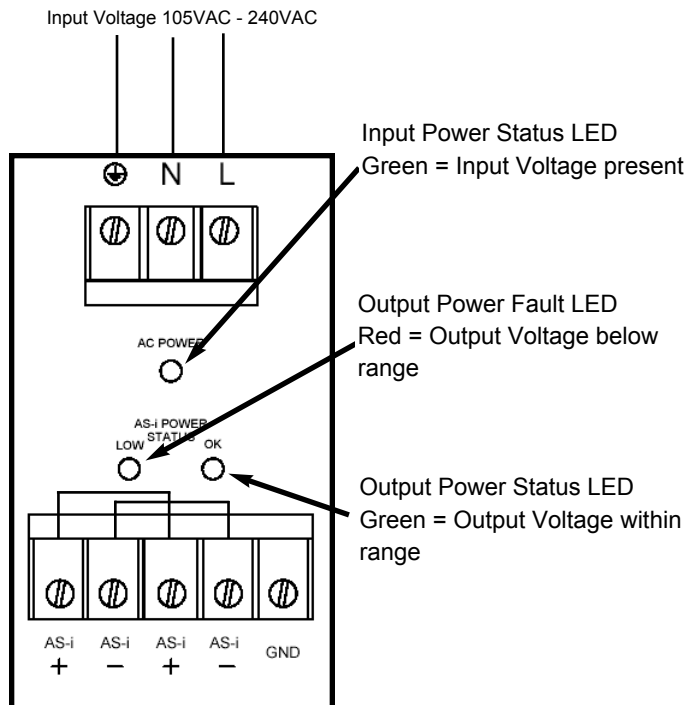
Input

Input Voltage	105-240VAC (Universal)
Frequency	47-63 Hz
Input Current	1.1 Amp @ 110VAC 0.5 Amp @ 220VAC
Efficiency	80%
Inrush Current	5 Amps(Max) @ 110VAC 10 Amps(Max) @ 220VAC
Hold-up time	6ms @115VAC 68ms @230 VAC
Internal Fuse	Yes, Internal
Display LED's	Input OK - Green LED

Safety and Protection

Unit Protection		
Overload		Yes
Short circuit protected		Yes
Open circuit protected		Yes
Over Temp Protected		Yes
Load Protection		
Over Voltage		Yes
Threshold		35V
Accuracy		5%

Wiring Diagram / Display Descriptions



Output Characteristic

