

FieldBlock™ Enclosure with:



AS-Interface (1-4) Passive Drop Connector (FBT02___)

Mounting The FieldBlock Enclosure

1. Locate the position where the FieldBlock enclosure will be mounted. Ensure that disconnect switch cover will have sufficient clearance to be lifted.
2. Attach the FieldBlock enclosure to a wall or other stationary flat surface using the mounting holes provided.

Attaching Cables and Connectors

1. Cable glands and connectors are provided for convenient wiring. Ensure all connections are securely tightened.
2. Follow all applicable NEC codes and other regulations.

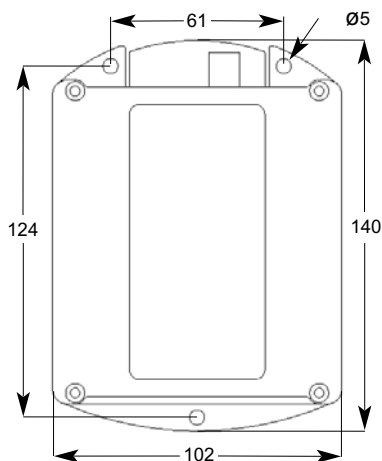
Installing & Removing Cover

1. To insure NEMA 4, 4X and 6 ratings are maintained the cover **must be** completely closed and the gasket sealed to keep out water.
2. Tighten cover screws to 05-30 inch lbs.

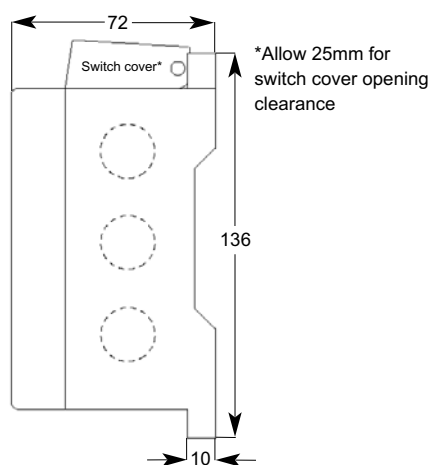


FieldBlock Dimensions (in mm)

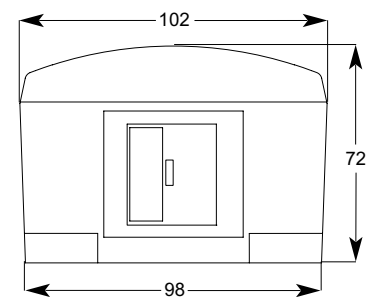
Front View



Side View



Top View



StoneL Corporation
 One StoneL Dr
 26275 US Hwy 59
 Fergus Falls, MN 56537
 USA

Telephone: 218.739.5774
 Toll Free: 800.843.7866
 Fax: 218.739.5776
 E-mail: sales@stonel.com
 Website: www.stonel.com

© 2001 StoneL Corporation

Example: FBT02004

<u>Function</u>	<u>Entry Options</u>
FB T02 (1-4) Passive drop connector for AS-Interface	003* (1) 4-Pin Male Mini-Connector, (5) 4-pin Female Mini-Connectors 004* (1) 4-Pin Male Micro-Connector, (5) 4-pin Female Micro-Connectors 006* (1) 4-Pin Male Mini-Connector, (1) 4-Pin Female Mini-Connector, (4) 4-pin Female Micro-Connectors 007 (6) 1/2 NPT Conduit Entries 009 (6) M20 cable glands (.20 -.35 diameter cable) * See Page 3 for Connector pin-out

General Specifications

Operating Life	Unlimited	Temperature Range	-40° to +85° C (-23° to 185° F)
Materials of Construction		Enclosure Protection	NEMA 4, 4X & 6; IP67
Housing and Cover	Lexan® Polycarbonate	Warranty	
Elastomer Seals	Buna-N	Complete Assemblies	Two Years
Fasteners	Stainless Steel		

Lexan is a registered trademark of General Electric Corporation.

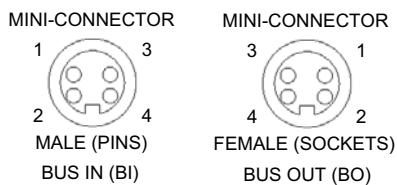
FBT02 Specifications & Wiring Diagrams

<p>Passive Drop Connector</p> <ul style="list-style-type: none"> - Bus in, Bus out, and (4) Passive Drops for AS-Interface networks. - Provides for easy spur wiring and branching from the trunk. <table style="width: 100%; margin-top: 10px;"> <tbody> <tr> <td style="width: 50%;">Voltage Range</td> <td>0-125 VAC/VDC</td> </tr> <tr> <td>Operating Voltage</td> <td>AS-Interface Voltage</td> </tr> <tr> <td>Current Rating</td> <td>8 Amps</td> </tr> <tr> <td>Break Current</td> <td>None</td> </tr> <tr> <td>Reset Current</td> <td>None</td> </tr> <tr> <td>Current Consumption</td> <td>2mA</td> </tr> <tr> <td>Voltage Drop (Trunk)</td> <td>Negligible</td> </tr> <tr> <td>Voltage Drop (Spur)</td> <td>Negligible</td> </tr> <tr> <td>Display</td> <td>Power Status, Green LED</td> </tr> </tbody> </table>	Voltage Range	0-125 VAC/VDC	Operating Voltage	AS-Interface Voltage	Current Rating	8 Amps	Break Current	None	Reset Current	None	Current Consumption	2mA	Voltage Drop (Trunk)	Negligible	Voltage Drop (Spur)	Negligible	Display	Power Status, Green LED	
Voltage Range	0-125 VAC/VDC																		
Operating Voltage	AS-Interface Voltage																		
Current Rating	8 Amps																		
Break Current	None																		
Reset Current	None																		
Current Consumption	2mA																		
Voltage Drop (Trunk)	Negligible																		
Voltage Drop (Spur)	Negligible																		
Display	Power Status, Green LED																		

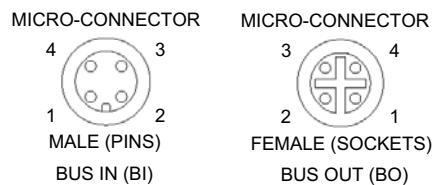
FBT02 Connector Pin Out

FBT02***					
BUS IN (BI) & BUS OUT (BO)					
PIN	WIRE COLOR	FBT02003	FBT02004	FBT02006	
1	BROWN	(+)	(+)	(+)	
2	WHITE	NOT USED	NOT USED	NOT USED	
3	BLUE	(-)	(-)	(-)	
4	BLACK	NOT USED	NOT USED	NOT USED	
DROPS (D1- D4)					
1	BROWN	(+)	(+)	(+)	
2	WHITE	NOT USED	NOT USED	NOT USED	
3	BLUE	(-)	(-)	(-)	
4	BLACK	NOT USED	NOT USED	NOT USED	

ENTRY OPTION 003



ENTRY OPTION 004



ENTRY OPTION 006

