

FieldBlock™ Enclosure with:

DeviceNet (1-4) Passive Drop Connector (FBT04___)

Mounting The FieldBlock Enclosure

1. Locate the position where the FieldBlock enclosure will be mounted. Ensure that disconnect switch cover will have sufficient clearance to be lifted.
2. Attach the FieldBlock enclosure to a wall or other stationary flat surface using the mounting holes provided.

Attaching Cables and Connectors

1. Cable glands and connectors are provided for convenient wiring. Ensure all connections are securely tightened.
2. Follow all applicable NEC codes and other regulations.

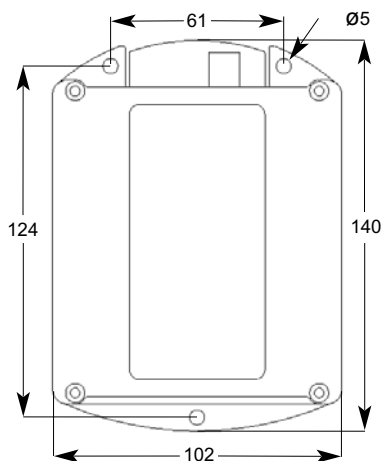
Installing & Removing Cover

1. To insure NEMA 4, 4X and 6 ratings are maintained the cover **must be** completely closed and the gasket sealed to keep out water.
2. Tighten cover screws to 05-30 inch lbs.

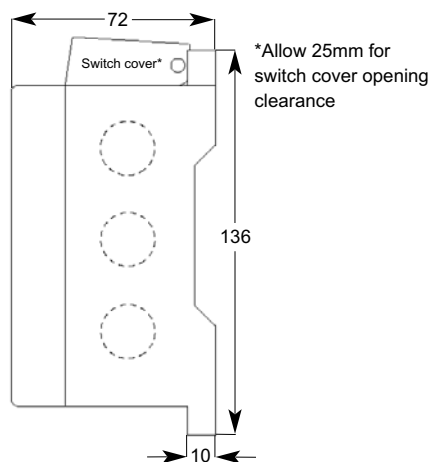


FieldBlock Dimensions (in mm)

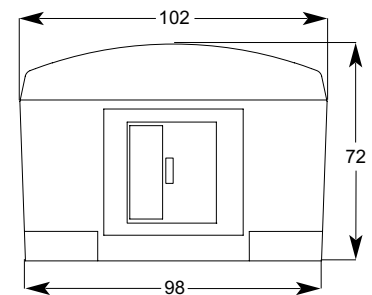
Front View



Side View



Top View



© 2001 StoneL Corporation

StoneL Corporation
One StoneL Dr
26275 US Hwy 59
Fergus Falls, MN 56537
USA

Telephone: 218.739.5774
 Toll Free: 800.843.7866
 Fax: 218.739.5776
 E-mail: sales@stonel.com
 Website: www.stonel.com

Example: FBT04001

	<u>Function</u>	<u>Entry Options</u>
FB T04	(1-4) Passive drop connector for DeviceNet	<p>001* (1) 5-Pin Male Mini-Connector, (5) 5-pin Female Mini-Connectors</p> <p>002* (1) 5-Pin Male Micro-Connector, (5) 5-pin Female Micro-Connectors</p> <p>005* (1) 5-Pin Male Mini-Connector, (1) 5-Pin Female Mini-Connector, (4) 5-pin Female Micro-Connectors</p> <p>007 (6) 1/2 NPT Conduit Entries</p> <p>009 (6) M20 cable glands (.20 -.35 diameter cable)</p> <p>* See Page 3 for Connector pin-out</p>

General Specifications

Operating Life	Unlimited	Temperature Range	-40° to +85° C (-23° to 185° F)
Materials of Construction		Enclosure Protection	NEMA 4, 4X & 6; IP67
Housing and Cover	Lexan® Polycarbonate	Warranty	
Elastomer Seals	Buna-N	Complete Assemblies	Two Years
Fasteners	Stainless Steel		

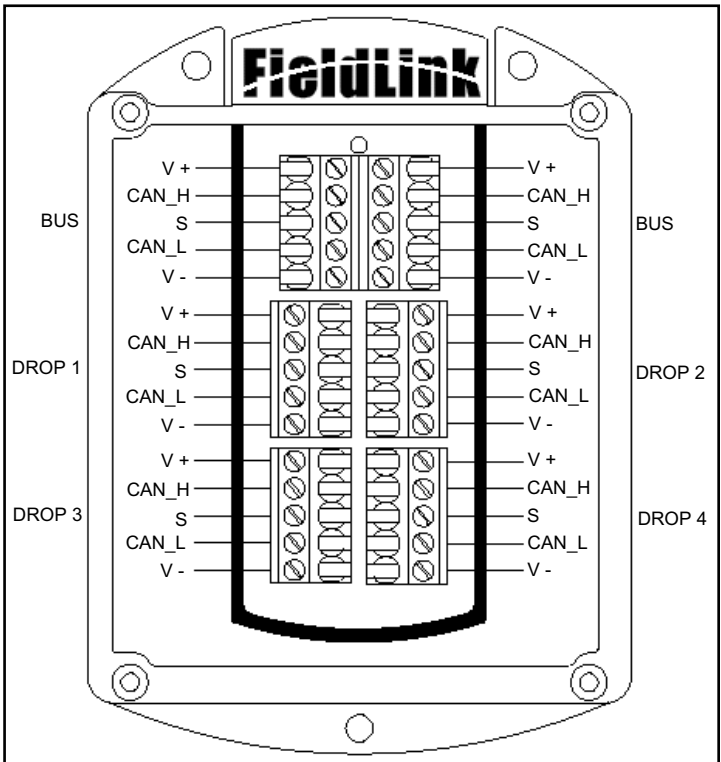
Lexan is a registered trademark of General Electric Corporation.

FBT04 Specifications & Wiring Diagrams

Passive Drop Connector

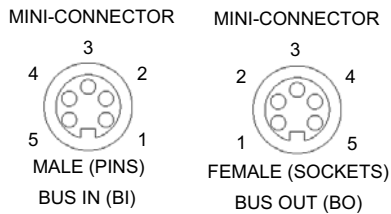
- Bus in, Bus out, (4) Passive Drops for DeviceNet networks.
- Provides for easy spur wiring and branching from the trunk.

Voltage Range	0-125 VAC/VDC
Operating Voltage	DeviceNet Voltage
Current Rating	8 Amps
Break Current	None
Reset Current	None
Current Consumption	2mA
Voltage Drop (Trunk)	Negligible
Voltage Drop (Spur)	Negligible
Display	Bus Power Status, Green LED

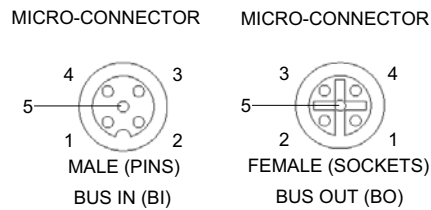


MODEL FBT04***					
BUS IN (BI) & BUS OUT (BO)					
PIN	WIRE COLOR	FBT04001	FBT04002	FBT04005	
1	BROWN	Shield	Shield	Shield	
2	WHITE	V +	V +	V +	
3	BLUE	V -	V -	V -	
4	BLACK	CAN_H	CAN_H	CAN_H	
5	GRAY	CAN_L	CAN_L	CAN_L	
DROPS (D1 - D4)					
1	BROWN	Shield	Shield	Shield	
2	WHITE	V +	V +	V +	
3	BLUE	V -	V -	V -	
4	BLACK	CAN_H	CAN_H	CAN_H	
5	GRAY	CAN_L	CAN_L	CAN_L	

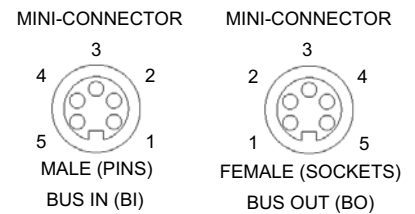
ENTRY OPTION 001



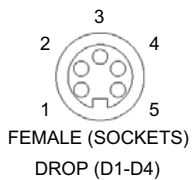
ENTRY OPTION 002



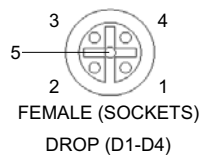
ENTRY OPTION 005



MINI-CONNECTOR



MICRO-CONNECTOR



MICRO-CONNECTOR

