

## FieldBlock™ Enclosure with:



## FOUNDATION Fieldbus (1-4) Passive Drop Connector (FBT08\_\_\_\_)

### Mounting The FieldBlock Enclosure

1. Locate the position where the FieldBlock enclosure will be mounted. Ensure that disconnect switch cover will have sufficient clearance to be lifted.
2. Attach the FieldBlock enclosure to a wall or other stationary flat surface using the mounting holes provided.

### Attaching Cables and Connectors

1. Cable glands and connectors are provided for convenient wiring. Ensure all connections are securely tightened.
2. Follow all applicable NEC codes and other regulations.

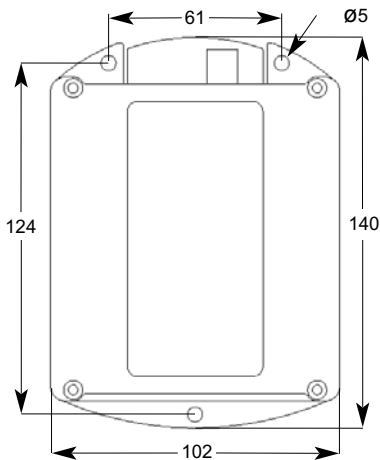
### Installing & Removing Cover

1. To insure NEMA 4, 4X and 6 ratings are maintained the cover **must be** completely closed and the gasket sealed to keep out water.
2. Tighten cover screws to 05-30 inch lbs.

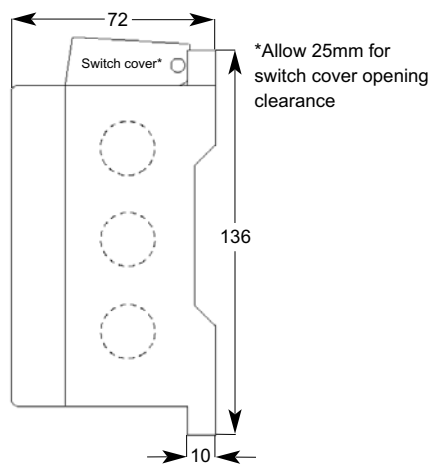


## FieldBlock Dimensions (in mm)

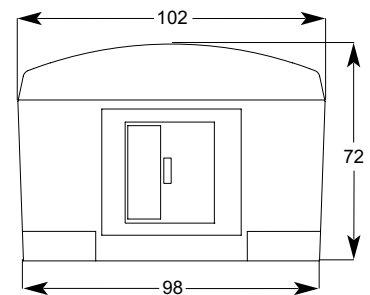
Front View



Side View



Top View



StoneL Corporation  
 One StoneL Dr  
 26275 US Hwy 59  
 Fergus Falls, MN 56537  
 USA

Telephone: 218.739.5774  
 Toll Free: 800.843.7866  
 Fax: 218.739.5776  
 E-mail: [sales@stonel.com](mailto:sales@stonel.com)  
 Website: [www.stonel.com](http://www.stonel.com)

© 2001 StoneL Corporation

## Example: FBT08004

	<u>Function</u>	<u>Entry Options</u>
<b>FB T08</b>	(1-4) Passive drop connector for 2-Wire systems, Foundation Fieldbus (H1), and Profibus PA networks.	<p><b>003*</b> (1) 4-Pin Male Mini-Connector, (5) 4-pin Female Mini-Connectors</p> <p><b>004*</b> (1) 4-Pin Male Micro-Connector, (5) 4-pin Female Micro-Connectors</p> <p><b>006*</b> (1) 4-Pin Male Mini-Connector, (1) 4-Pin Female Mini-Connector, (4) 4-pin Female Micro-Connectors</p> <p><b>007</b> (6) 1/2 NPT Conduit Entries</p> <p><b>009</b> (6) M20 cable glands (.20 -.35 diameter cable)</p> <p><b>* See Page 3 for Connector pin-out</b></p>

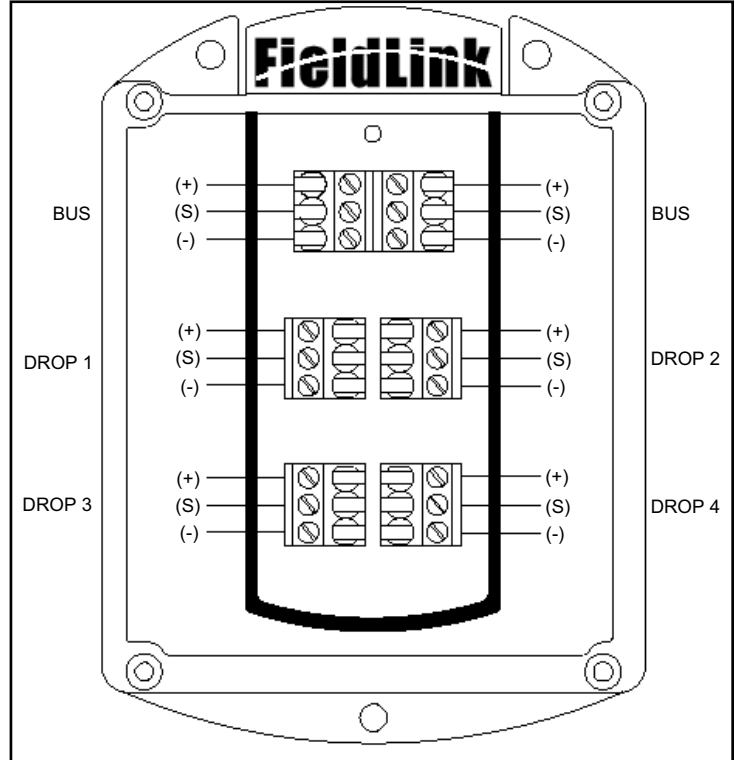
## General Specifications

<b>Operating Life</b>	Unlimited	<b>Temperature Range</b>	-40° to +85° C (-23° to 185° F)
<b>Materials of Construction</b>		<b>Enclosure Protection</b>	NEMA 4, 4X & 6; IP67
Housing and Cover	Lexan® Polycarbonate	<b>Warranty</b>	
Elastomer Seals	Buna-N	Complete Assemblies	Two Years
Fasteners	Stainless Steel		

Lexan is a registered trademark of General Electric Corporation.

## FBT08 Specifications & Wiring Diagrams

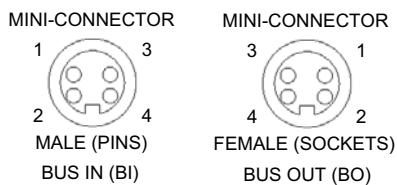
<b>Passive Drop Connector</b>	
- Bus in, Bus out, and (4) Passive Drops for 2-Wire systems, Foundation Fieldbus (H1), and Profibus PA networks. - Provides for easy spur wiring and branching from the trunk.	
Voltage Range	0-125 VAC/VDC
Operating Voltage	Protocol dependent
Current Rating	8 Amps
Break Current	None
Reset Current	None
Current Consumption	2mA
Voltage Drop (Trunk)	Negligible
Voltage Drop (Spur)	Negligible
Display	Power Status, Green LED



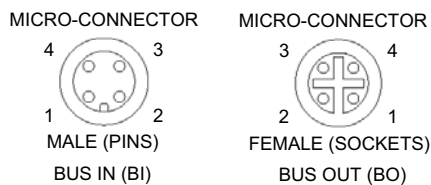
# FBT08 Connector Pin Out

FBT08***					
BUS IN (BI) & BUS OUT (BO)					
PIN	WIRE COLOR	FBT08003	FBT08004	FBT08006	
1	BROWN	(-)	(-)	(-)	
2	WHITE	(+)	(+)	(+)	
3	BLUE	Shield	Shield	Shield	
4	BLACK	NOT USED	NOT USED	NOT USED	
DROPS (D1- D4)					
1	BROWN	(-)	(-)	(-)	
2	WHITE	(+)	(+)	(+)	
3	BLUE	Shield	Shield	Shield	
4	BLACK	NOT USED	NOT USED	NOT USED	

**ENTRY OPTION 003**



**ENTRY OPTION 004**



**ENTRY OPTION 006**

