

## FieldBlock™ Enclosure with:



## FOUNDATION Fieldbus (1-4) Protected Drop Connector (FBP06\_\_\_\_)

### Mounting The FieldBlock Enclosure

1. Locate the position where the FieldBlock enclosure will be mounted. Ensure that disconnect switch cover will have sufficient clearance to be lifted.
2. Attach the FieldBlock enclosure to a wall or other stationary flat surface using the mounting holes provided.

### Attaching Cables and Connectors

1. Cable glands and connectors are provided for convenient wiring. Ensure all connections are securely tightened.
2. Follow all applicable NEC codes and other regulations.

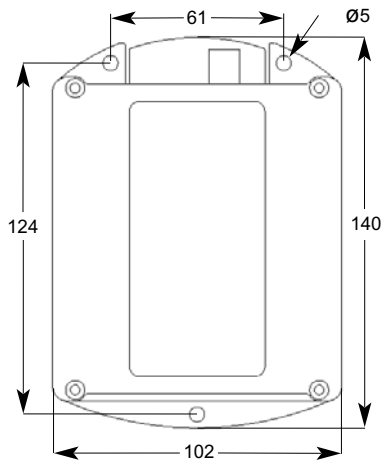
### Installing & Removing Cover

1. To insure NEMA 4, 4X and 6 ratings are maintained the cover **must be** completely closed and the gasket sealed to keep out water.
2. Tighten cover screws to 05-30 inch lbs.

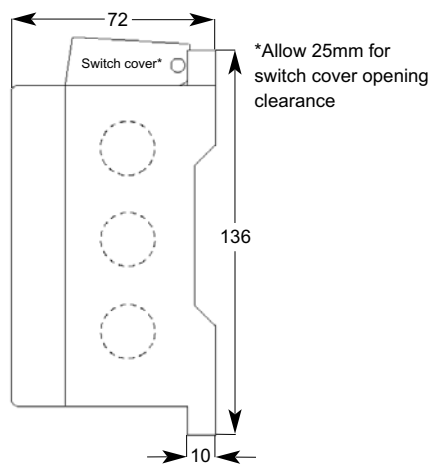


## FieldBlock Dimensions (in mm)

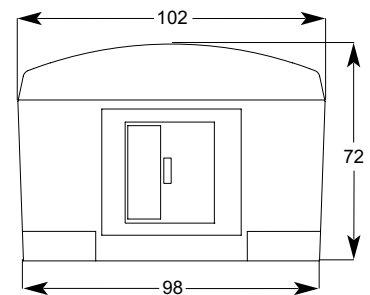
Front View



Side View



Top View



StoneL Corporation  
 One StoneL Dr  
 26275 US Hwy 59  
 Fergus Falls, MN 56537  
 USA

Telephone: 218.739.5774  
 Toll Free: 800.843.7866  
 Fax: 218.739.5776  
 E-mail: sales@stonel.com  
 Website: www.stonel.com

© 2001 StoneL Corporation

## Example: FBP06004

|               | <u>Function</u>  | <u>Entry Options</u>   |
|---------------|--|--|
| <b>FB P06</b> | (1-4) Protected drop connector for FF-H1, Profibus PA (40mA) | <p><b>003*</b> (1) 4-Pin Male Mini-Connector,<br/>(5) 4-pin Female Mini-Connectors</p> <p><b>004*</b> (1) 4-Pin Male Micro-Connector,<br/>(5) 4-pin Female Micro-Connectors</p> <p><b>006*</b> (1) 4-Pin Male Mini-Connector,<br/>(1) 4-Pin Female Mini-Connector,<br/>(4) 4-pin Female Micro-Connectors</p> <p><b>007</b> (6) 1/2 NPT Conduit Entries</p> <p><b>009</b> (6) M20 cable glands (.20 -.35 diameter cable)</p> <p><b>* See Page 3 for Connector pin-out</b></p> |

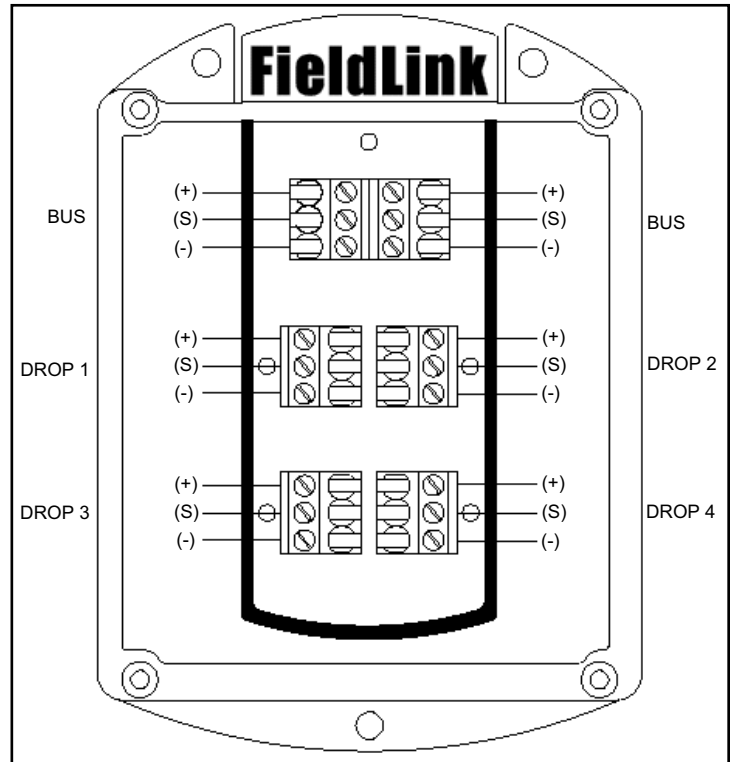
## General Specifications

|                                  |                      |                             |                                 |
|----------------------------------|----------------------|-----------------------------|---------------------------------|
| <b>Operating Life</b>            | Unlimited            | <b>Temperature Range</b>    | -40° to +85° C (-23° to 185° F) |
| <b>Materials of Construction</b> |                      | <b>Enclosure Protection</b> | NEMA 4, 4X & 6; IP67            |
| Housing and Cover                | Lexan® Polycarbonate | <b>Warranty</b>             |                                 |
| Elastomer Seals                  | Buna-N               | Complete Assemblies         | Two Years                       |
| Fasteners                        | Stainless Steel      |                             |                                 |

Lexan is a registered trademark of General Electric Corporation.

## FBP06 Specifications & Wiring Diagrams

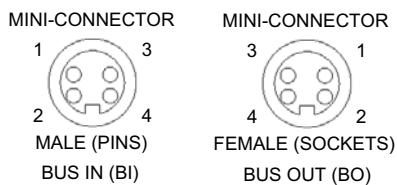
| <b>Protected Drop Connector</b>  |   |
|--|---|
| <ul style="list-style-type: none"> <li>- Bus in, Bus out, (4) Protected Drops for Foundation Fieldbus H1 and Profibus-PA networks.</li> <li>- Provides for easy spur wiring and branching from the trunk.</li> <li>- Independent short circuit protection on drops.</li> <li>- Automatically resets when fault condition is cleared.</li> <li>- LED indicates drop fault.</li> </ul> |   |
| Voltage Range  | 9-32 VDC (F/F or Profibus Voltage)                                  |
| Max Voltage  | 35 VDC  |
| Current Rating (Trunk)   | 8 Amps  |
| Break Current  | 40 mA   |
| Holding Current  | 28mA  |
| Reset Current  | <28mA   |
| Current Consumption  | 4mA   |
| Voltage Drop (Trunk)   | Negligible  |
| Voltage Drop (Spur)  | 1.0 Volt Max  |
| Display  | FieldBus Power Status, Green LED<br>Drop short indication, Red LEDs |



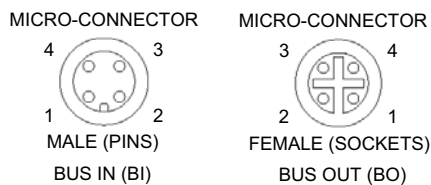
# FBP06 Connector Pin Out

| FBP06***                   |            |          |          |          |  |
|----------------------------|------------|----------|----------|----------|--|
| BUS IN (BI) & BUS OUT (BO) |            |          |          |          |  |
| PIN                        | WIRE COLOR | FBP06003 | FBP06004 | FBP06006 |  |
| 1                          | BROWN      | (-)      | (-)      | (-)      |  |
| 2                          | WHITE      | (+)      | (+)      | (+)      |  |
| 3                          | BLUE       | Shield   | Shield   | Shield   |  |
| 4                          | BLACK      | NOT USED | NOT USED | NOT USED |  |
| DROPS (D1- D4)             |            |          |          |          |  |
| 1                          | BROWN      | (-)      | (-)      | (-)      |  |
| 2                          | WHITE      | (+)      | (+)      | (+)      |  |
| 3                          | BLUE       | Shield   | Shield   | Shield   |  |
| 4                          | BLACK      | NOT USED | NOT USED | NOT USED |  |

**ENTRY OPTION 003**



**ENTRY OPTION 004**



**ENTRY OPTION 006**

