

FieldBlock™ Enclosure with:



FOUNDATION Fieldbus (1-4) Switched Protected Drop Connector (FBS06_)

Mounting The FieldBlock Enclosure

1. Locate the position where the FieldBlock enclosure will be mounted. Ensure that disconnect switch cover will have sufficient clearance to be lifted.
2. Attach the FieldBlock enclosure to a wall or other stationary flat surface using the mounting holes provided.

Attaching Cables and Connectors

1. Cable glands and connectors are provided for convenient wiring. Ensure all connections are securely tightened.
2. Follow all applicable NEC codes and other regulations.

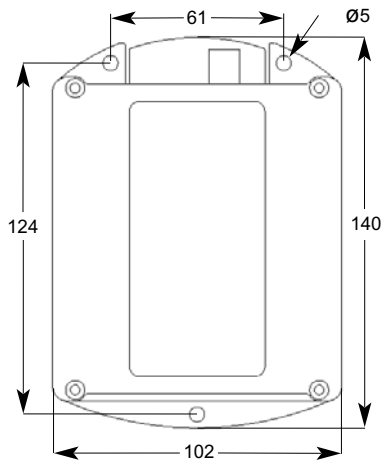
Installing & Removing Cover

1. To insure NEMA 4, 4X and 6 ratings are maintained the cover **must be** completely closed and the gasket sealed to keep out water.
2. Tighten cover screws to 05-30 inch lbs.

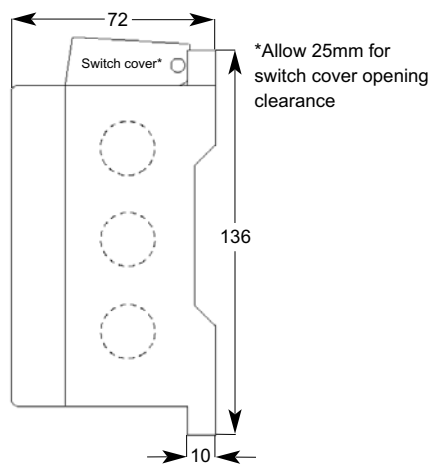


FieldBlock Dimensions (in mm)

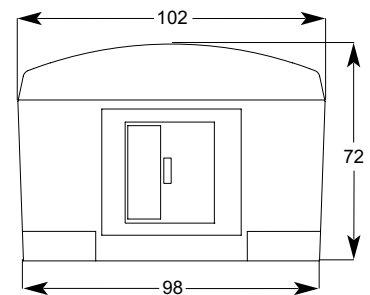
Front View



Side View



Top View



StoneL Corporation
 One StoneL Dr
 26275 US Hwy 59
 Fergus Falls, MN 56537
 USA

Telephone: 218.739.5774
 Toll Free: 800.843.7866
 Fax: 218.739.5776
 E-mail: sales@stonel.com
 Website: www.stonel.com

© 2001 StoneL Corporation

Example: FBS06004

	<u>Function</u>	<u>Entry Options</u>
FB S06	(1-4) switched protected drop connector for Foundation Fieldbus (H1) and Profibus PA networks (40mA)	<p>003* (1) 4-Pin Male Mini-Connector, (5) 4-pin Female Mini-Connectors</p> <p>004* (1) 4-Pin Male Micro-Connector, (5) 4-pin Female Micro-Connectors</p> <p>006* (1) 4-Pin Male Mini-Connector, (1) 4-Pin Female Mini-Connector, (4) 4-pin Female Micro-Connectors</p> <p>007 (6) 1/2 NPT Conduit Entries</p> <p>009 (6) M20 cable glands (.20 -.35 diameter cable)</p> <p>* See Page 3 for Connector pin-out</p>

General Specifications

Operating Life	Unlimited	Temperature Range	-40° to +85° C (-23° to 185° F)
Materials of Construction		Enclosure Protection	NEMA 4, 4X & 6; IP67
Housing and Cover	Lexan® Polycarbonate	Warranty	Two Years
Elastomer Seals	Buna-N	Complete Assemblies	
Fasteners	Stainless Steel		

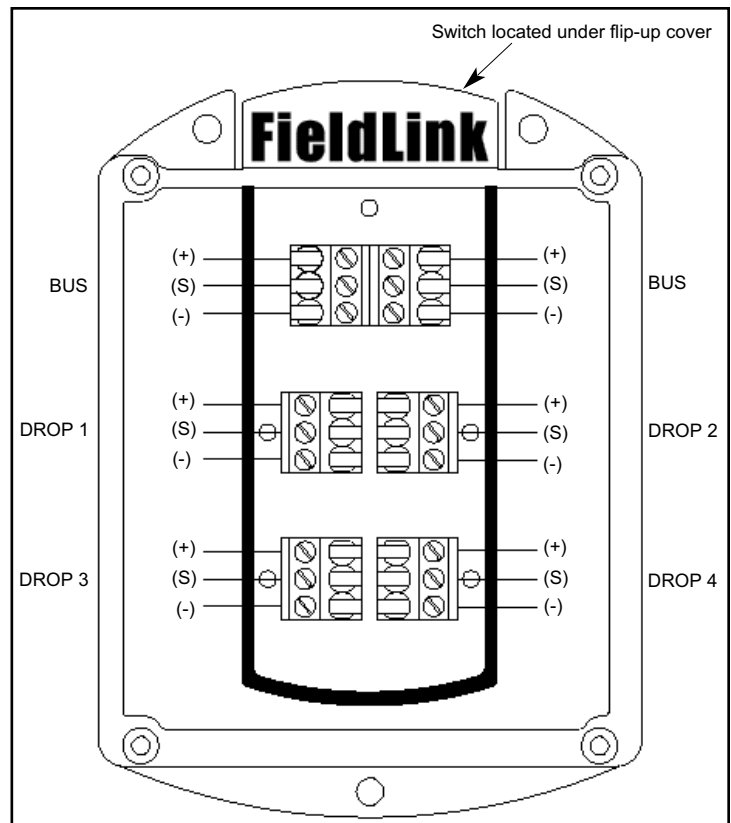
Lexan is a registered trademark of General Electric Corporation.

FBS06 Specifications & Wiring Diagrams

Switched Protected Drop Connector

- Bus in, Bus out, (4) Protected Drops for Foundation Fieldbus H1and Profibus-PA networks.
- Provides for easy spur wiring and branching from the trunk.
- Switch provides for convenient isolation of all four drops from the bus.
- Switch located under flip-up cover which is drilled to accept tamper seals or locking pin,
- Independent short circuit protection on drops.
- Automatically resets when fault condition is cleared.
- LED indicates drop fault.

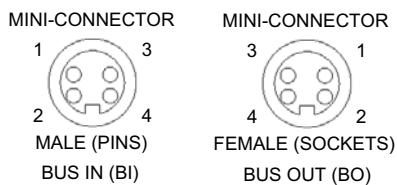
Voltage Range	9-32 VDC (F/F or Profibus Voltage)
Max Voltage	35 VDC
Current Rating (Trunk)	8 Amps
Break Current	40 mA
Holding Current	28mA
Reset Current	<28mA
Current Consumption	4mA
Voltage Drop (Trunk)	Negligible
Voltage Drop (Spur)	1.0 Volt Max
Display	FieldBus Power Status, Green LED Drop short indication, Red LEDs



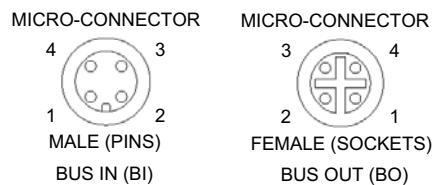
FBS06 Connector Pin Out

FBS06***					
BUS IN (BI) & BUS OUT (BO)					
PIN	WIRE COLOR	FBS06003	FBS06004	FBS06006	
1	BROWN	(-)	(-)	(-)	
2	WHITE	(+)	(+)	(+)	
3	BLUE	Shield	Shield	Shield	
4	BLACK	NOT USED	NOT USED	NOT USED	
DROPS (D1- D4)					
1	BROWN	(-)	(-)	(-)	
2	WHITE	(+)	(+)	(+)	
3	BLUE	Shield	Shield	Shield	
4	BLACK	NOT USED	NOT USED	NOT USED	

ENTRY OPTION 003



ENTRY OPTION 004



ENTRY OPTION 006

