

Input/Output Modules

StoneL Model 461051, 465013 (DIN)

The I/O Module is designed to function as a Modbus slave device with termination points for connecting switches/sensors, as well as output devices such as solenoid valves and relays.

Inputs and Outputs

- Two (2) discrete inputs
- Two (2) discrete outputs
- One (1) analog input (4-20mA)



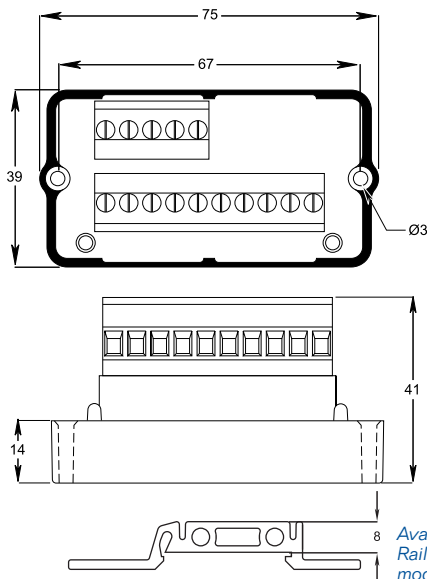
Enclosure Option



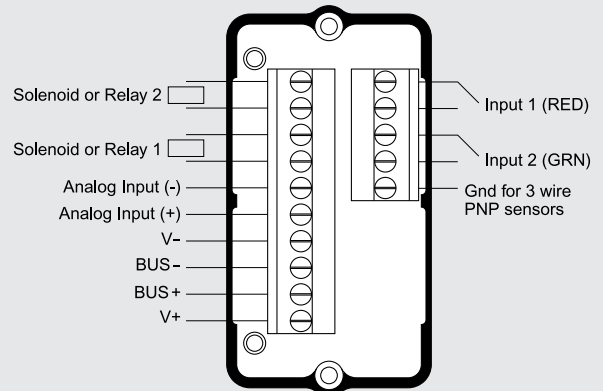
Specifications

Model Numbers	• 461051,465013 (DIN)
Protocol	• Modbus RS485 (RTU)
Discrete Inputs	• (2) May be gold contact mechanical or proximity sensor
Discrete Outputs	• (2) 24VDC (4 Watts total power available)
Analog Input	• 4-20mA 10 bit resolution
Operating Voltage	• 24 VDC
Data Rate	• 9,600, 19,200, 38,400 Baud (Software Settable)
Current Consumption	• <20 mA (no outputs energized and no analog input)
Dimensions	• 75mm, 39mm, 42mm (L, W, H)
Indication	• Input 1 = Red LED; Input 2 = Green LED
Operating Temp.	• -25° to +70°C (-13° to +158°F)
Stock Temp.	• -25° to +70°C (-13° to +158°F)
Weight	• 90g (0.2 pounds)

Dimensions (in mm)



Wiring Diagram



Modbus Data locations

Input Data

Input 1 = 10001
Input 2 = 10002
Analog input = 30001

Output Data

Output 1 = 00001
Output 2 = 00002

Modbus Set-up

Data Rate, Device Address, and Bit framing are software settable. Software tool available from StoneL.