

Drop Connectors

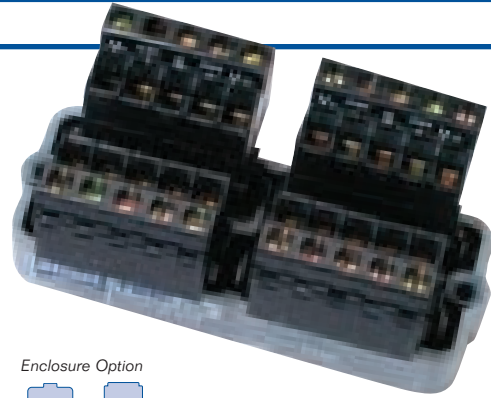
StoneL Model 461053, 465002 (DIN)

Passive Multi-drop Connector (2 Drops)

This Multi-drop Connector is compact with direct-mount for wiring DeviceNet networks. This device provides terminations for Bus In, Bus Out, and two (2) individual drops or spurs.

Features

- IP20 housing
- Direct mount or DIN rail mount available



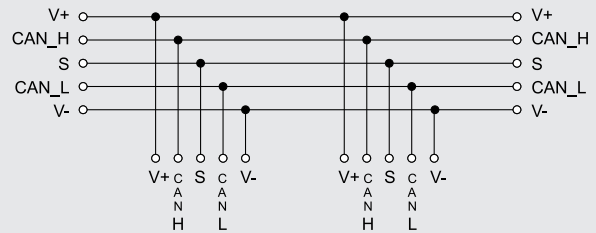
Enclosure Option



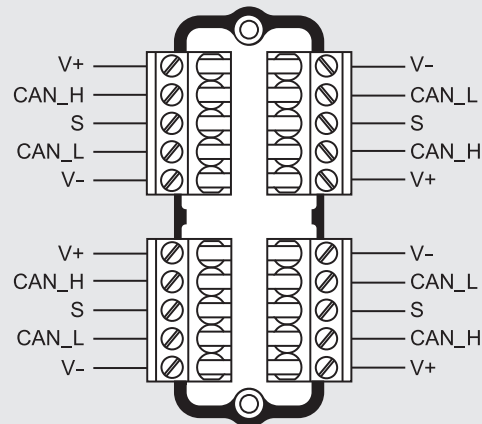
Specifications

Protocol	• DeviceNet
Max Spurs (Drops)	• 2
Type	• Passive Drops
Max Current	• 8 Amps
Voltage Drop, Bus Trunk	• Negligible
Voltage Drop, Spur	• Negligible
Maximum Voltage	• 35VDC
Current Consumption	• None
Operating Temp.	• -40° to +85°C (-40° to +185°F)
Storage Temp.	• -40° to +85°C (-40° to +185°F)
Housing	• Engineered resin, direct mount
Housing Dimensions	• 75mm, 36mm, 40mm (L, W, H)

Schematic Drawing



Wiring Diagram



Dimensions (in mm)

