

**Drop Connectors**

**StoneL Model 461066, 465007 (DIN)**

**Protected Drop Switch (1 Drop)**

Designed for AS-Interface Networks, this switched drop connector offers a very convenient method to remove, replace, or repair a device while the balance of the network remains on-line. It allows the user to disconnect a drop segment from the rest of the bus by flipping a switch.

**Features**

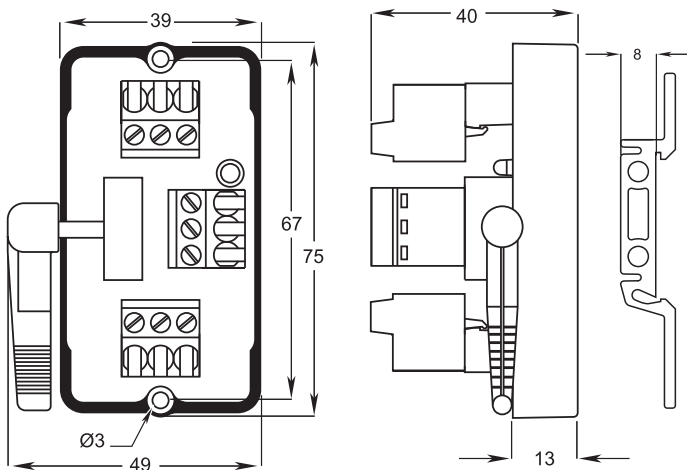
- Disconnects segment
- Compact modular design
- Short circuit protection (240mA)
- LED indicates drop fault
- Direct mount and DIN rail mount available



**Specifications**

Model Numbers	• 461066, 465007 (DIN)
Maximum Voltage	• 35VDC
Max. Current, Bus Trunk line	• 8 Amps
Trip Current, Drop	• 240mA
Voltage Drop, Bus Leg	• Negligible
Voltage Drop, Drop Leg	• 1 Volt Max
Holding Current	• 28mA (After Trip)
Reset Current Level	• Current falls below 28mA
Dimensions (L, W, H)	• 75mm, 49mm, 40mm
Operating Temp.	• -40° to +85°C (-40° to +185°F)
Storage Temp.	• -40° to +85°C (-40° to +185°F)

**Dimensions (in mm)**



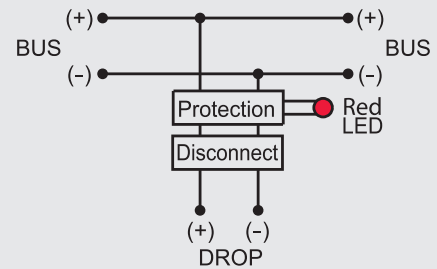
Available with DIN Rail Clip. Specify model # 465007



Enclosure



**Schematic Drawing**



**Wiring Diagram**

