

## Drop Connectors

### StoneL Model 461068, 465008 (DIN)

#### Protected Drop Switch (1 Drop)

Designed for PROFIBUS-PA Networks, this switched drop connector offers a very convenient method to remove, replace, or repair a device while the balance of the network remains on-line. It allows the user to disconnect a drop segment from the rest of the bus by flipping a switch.

#### Features

- Disconnect bus segments
- Short circuit protection
- Direct mount or DIN rail mount available
- LED indicates drop fault



Enclosure Option



p.154

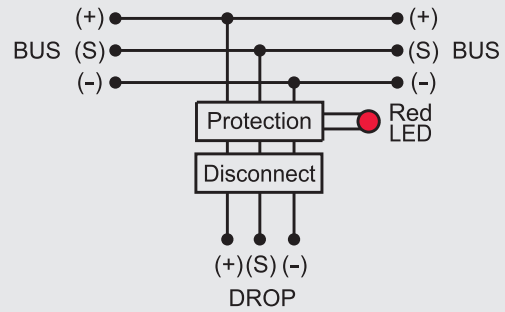


p.166

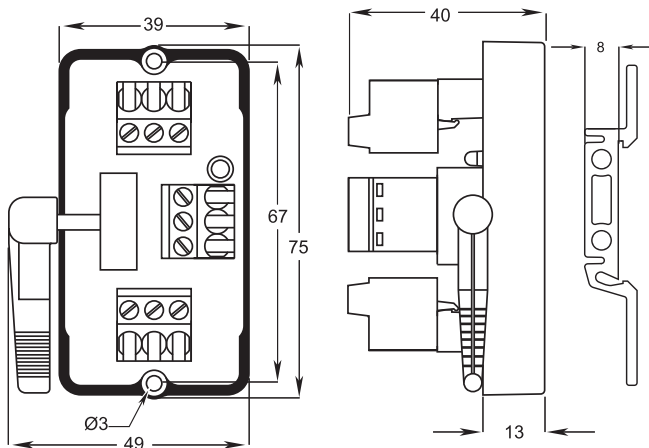
#### Specifications

Model Numbers	• 461068, 465008 (DIN)
Protocol	• Profibus-PA
Max. Devices Per Drop	• 1
Max. Current (Trunk)	• 8 Amps
Trip Current (Drop)	• 40mA
Maximum Voltage	• 35VDC
Voltage Drop (Trunk)	• Negligible
Voltage Drop (Drop)	• 1 Volt Max.
Holding Current (After Trip)	• 28mA
Reset Current Level	• Current falls below 28mA
Housing	• Engineered resin
Ingress Protection	• IP20
Dimensions (L, W, H)	• 75mm, 49mm, 40mm
Operating Temp.	• -40° to +85°C (-40° to +185F)
Storage Temp.	• -40° to + 85°C (-40° to +185F)

#### Schematic Drawing



#### Dimensions (in mm)



Available with DIN Rail Clip. Specify model # 465008

#### Wiring Diagram

