

## Drop Connectors

### StoneL Model 461074

#### Protected Multi-drop Connector (4 drops)

This protected multi-drop connector is compact with DIN rail mount for wiring PROFIBUS-PA networks. It provides terminations for Bus In, Bus Out, and four (4) individual drops or spurs. Each drop has its own protection circuit, ensuring that a short circuit on a drop will not affect the rest of the bus.

#### Features

- Fieldbus power status LED
- Short circuit protection
- LED indication of short circuits
- DIN rail mounting
- IP20 housing



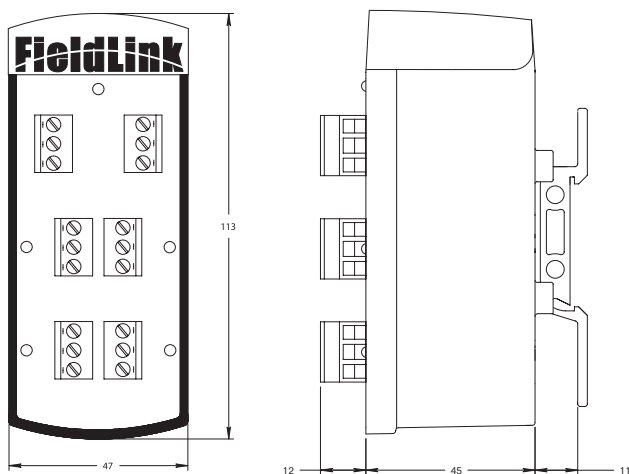
Enclosure Option



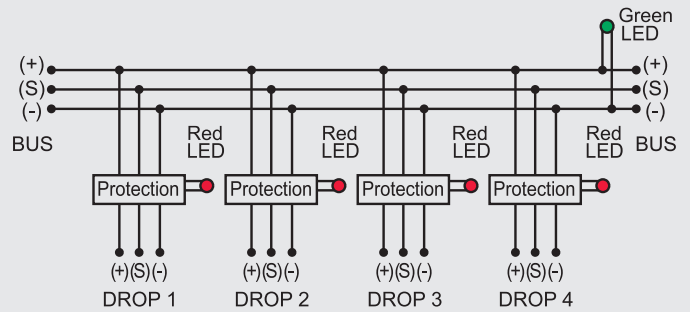
#### Specifications

|                         |  |
|-------------------------|--|
| Protocol                | • PROFIBUS-PA  |
| Max Spurs (Drops)       | • 4  |
| Type                    | • Protected drops  |
| Max Current, Bus Trunk  | • 8 Amp  |
| Voltage Drop, Bus Trunk | • Negligible   |
| Voltage Drop, Spur      | • 1 VDC max  |
| Trip Current            | • 40mA   |
| Holding Current         | • 28 mA  |
| Reset Current           | • 28 mA  |
| Max Voltage             | • 35 VDC   |
| Current Consumption     | • 4 mA   |
| Displays                | • Fieldbus power status, green LED<br>• Drop short indication, (4) Red LED |
| Operating Temp.         | • -40° to +85°C (-40° to +185°F)   |
| Storage Temp.           | • -40° to +85°C (-40° to +185°F)   |
| Housing                 | • Engineered resin, DIN rail mounting                                      |
| Housing Dimensions      | • 113mm, 47mm, 68mm (L, W, H)  |
| Ingress Protection      | • IP20   |

#### Dimensions (in mm)



#### Schematic Drawing



#### Wiring Diagram

