

## Drop Connectors

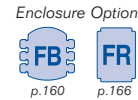
### StoneL Model 461078

#### Switched Protected Multi-drop Connector (4 Drops)

This protected Multi-drop connector is compact with DIN rail mount for wiring AS-Interface networks. It provides terminations for Bus In, Bus Out, and four (4) individual drops or spurs. Each drop has a protection circuit, ensuring that a short circuit on a drop will not affect the rest of the bus. This device also has a disconnect switch capable of cutting power and data to all four (4) spurs.

#### Features

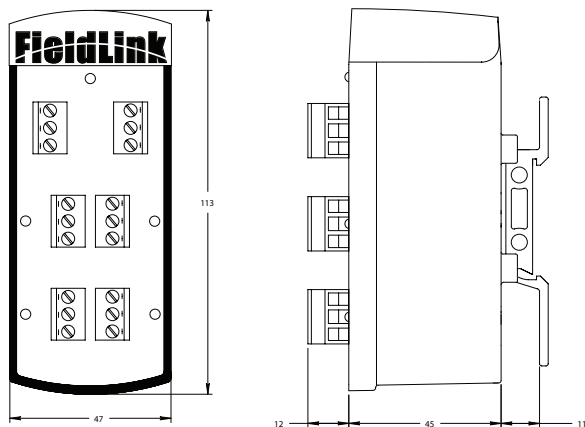
- AS-Interface power status LED
- Short circuit protection
- LED indication of short circuits
- Disconnect switch
- 240 mA trip current
- DIN rail mounting
- IP20 housing



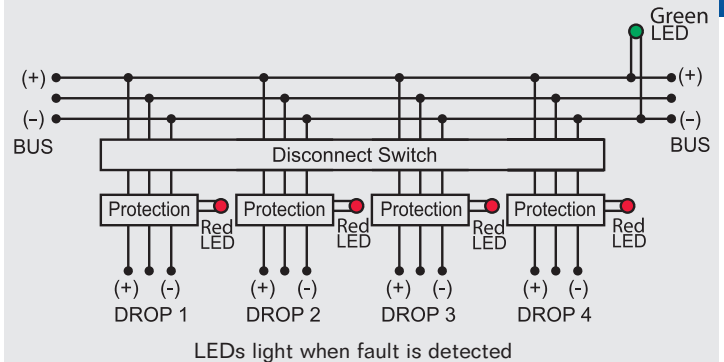
#### Specifications

Protocol	• AS-Interface
Max Spurs (Drops)	• 4
Type	• Switched protected drops
Max Current, Bus Trunk	• 8 Amp
Voltage Drop, Bus Trunk	• Negligible
Voltage Drop, Spur	• 1 VDC max
Trip Current	• 240mA
Holding Current	• 28mA
Reset Current	• 28mA
Max Voltage	• 35VDC
Current Consumption	• 4mA
Displays	• AS-Interface Power Status, green LED • Drop Short Indication, (4) Red LED
Operating Temp.	• -40° to +85°C (-40° to +185°F)
Storage Temp.	• -40° to +85°C (-40° to +185°F)
Housing	• Engineered resin, DIN rail mounting
Housing Dimensions	• 113mm, 47mm, 68mm (L, W, H)
Ingress Protection	• IP20

#### Dimensions (in mm)



#### Schematic Diagram



#### Wiring Diagram

