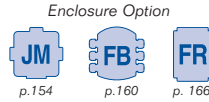
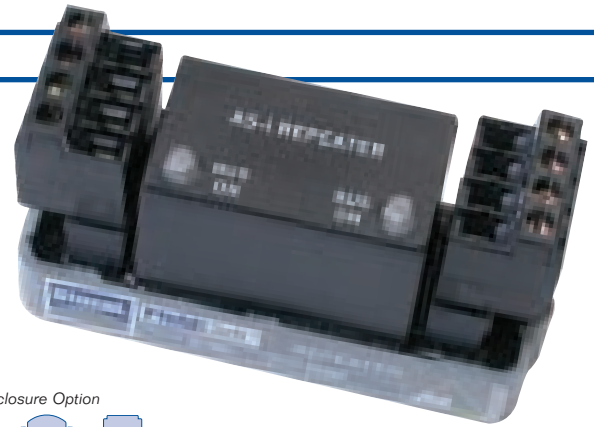


Repeaters/Network Tuners

StoneL Model 461091, 465026 (DIN)

AS-Interface Repeater

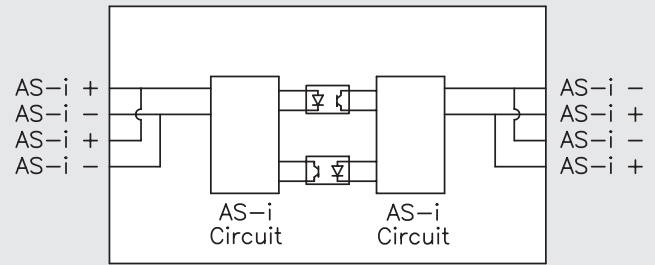
The AS-Interface Repeater extends the AS-Interface network by 100 meters. The repeater requires no configuration and has no address on the bus. The repeater requires an AS-Interface power supply.



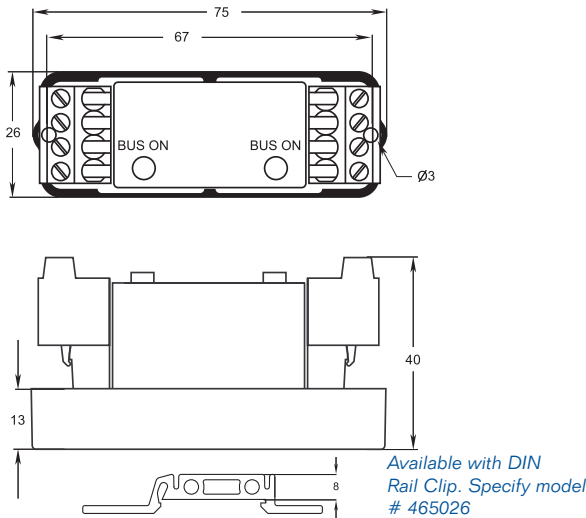
Specifications

Model Numbers	• 461091, 465026 (DIN)
Operating Voltage	• AS-Interface voltage
Operating Current	• 60mA (per segment) 120mA total
AS-Interface Cycle time	• 0.15ms X (AS-i Slaves + 1)
Indication	• Green LED indicates bus power on each segment
Dimensions:	• 75mm, 26mm, 40mm (L, W, H)
Operating Temp.	• -40° to + 85°C (-40° to 185°F)

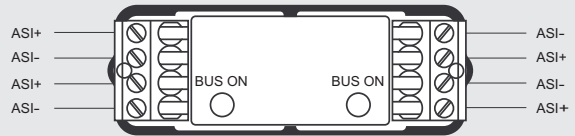
Schematic Drawing



Dimensions (in mm)



Wiring Diagram



Network

