

## Input/Output Modules

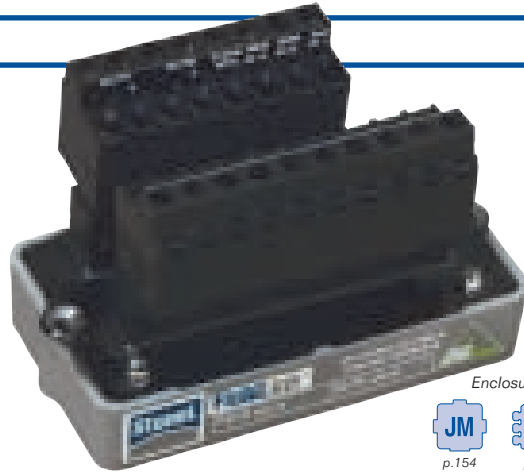
### StoneL Model 461136, 465029 (DIN)

#### Input/Output Module with Extended Addressing Feature

The I/O Module is designed to function as an AS-Interface slave device with termination points for connecting switches/sensors as well as output devices, such as solenoid valves and relays.

#### Features

- Four (4) discrete inputs
- Three (3) power outputs
- LED input status displays (inputs 3&4)
- Direct mount or DIN rail mount available
- Extended addressing feature (A/B Addresses) 62 per Network



Enclosure Option



p.154

p.160

p.166

#### AS-Interface Profile and Data locations

##### Input Data

- Input 1 = DI0
- Input 2 = DI1
- Input 3 = DI2
- Input 4 = DI3

##### Output Data

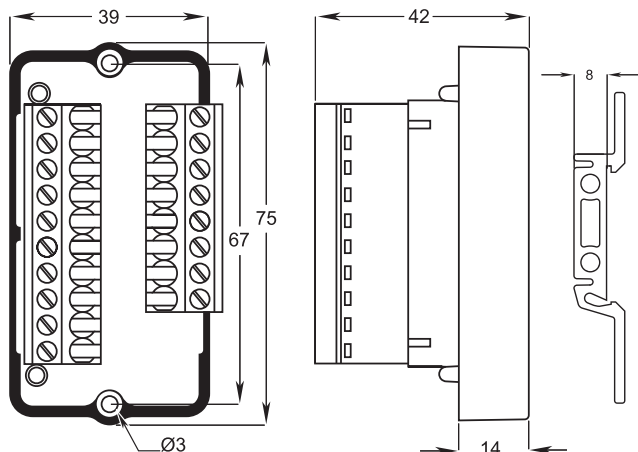
- Output 1 = DO2
- Output 2 = Not Used
- Output 3 = DO0
- Output 4 = DO1



#### Specifications

Model Numbers	• 461136, 465029 (DIN)
AS-Interface Profile	• ID Code = A I/O Code = 7 (4DI,4DO)
Inputs	• (4) 3mA @ 28VDC; gold contact mechanical, low power reed, or proximity sensor
Outputs	• (4) 28VDC (4 Watts total power available)
Operating Voltage	• AS-Interface Voltage
Current Consumption	• <40mA (with no outputs energized)
Dimensions	• 75mm, 39mm, 41mm (L, W, H)
Indication	• Input 3 = Green LED Input 4 = Red LED
Operating Temp.	• -25° to +70°C (-13° to +158°F)
Stock Temp.	• -25° to +70°C (-13° to +158°F)
Weight	• 90g (0.2 pounds), with DIN

#### Dimensions (in mm)



Available with DIN Rail Clip.  
Specify model # 465029

#### Wiring Diagram

