

Repeaters/Network Tuners

StoneL Model 461142, 461150 (DIN)



Enclosure Option



AS-Interface Network Tuner

The AS-Interface Tuner enables longer cable length and improves network communication quality. This tuner monitors the telegram traffic and adjusts its Capacitive, Inductive, and Resistive characteristics to optimize communication. LED's display network signal quality.

Features

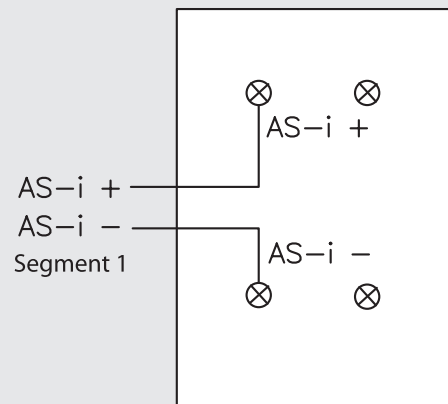
- Extend AS-i Networks
- Improve signal quality
- LED Indication
- Easy commissioning
- DIN rail mounting
- IP65



Specifications

Device Profile	• Passive (No address)
Operating Voltage	• 30 VDC AS-Interface Voltage (AS-Interface power supply)
Operating Current	• 60mA
Displays	• Power: Voltage OK green LED • Tuning Active: green LED • Error: red LED • Warning: Yellow LED • Green: Green LED
Operating Temp.	• 0° to +55°C (+32° to +131°F)
Storage Temp.	• -25° to +75°C (-13° to +167°F)
Housing	• Engineered Resin, DIN rail mounting
Housing Dimensions	• 80mm, 115mm, 65mm (L, W, H)
Ingress Protection	• IP65
Weight	• 244g (0.54 pounds)

Schematic Diagram



Network

