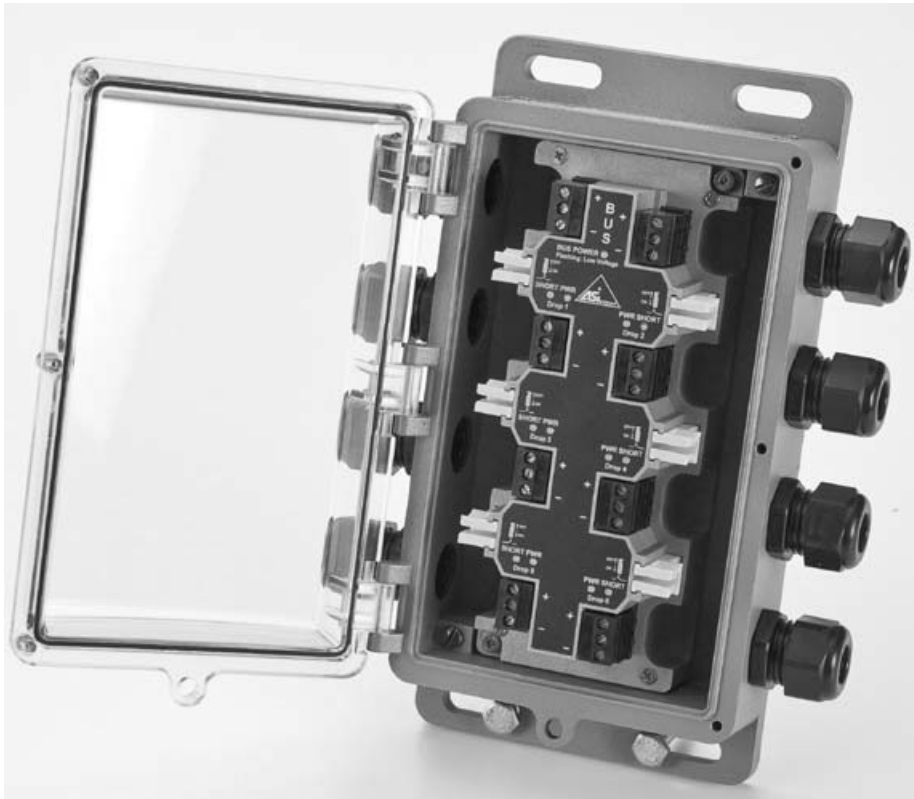


FieldBlock Nonincendive™ Enclosure (FN) with:



AS-Interface (1-6) Passive Drop Connector (FNT02___)



StoneL Corporation
One StoneL Dr
26271 US Hwy 59
Fergus Falls, MN 56537
USA

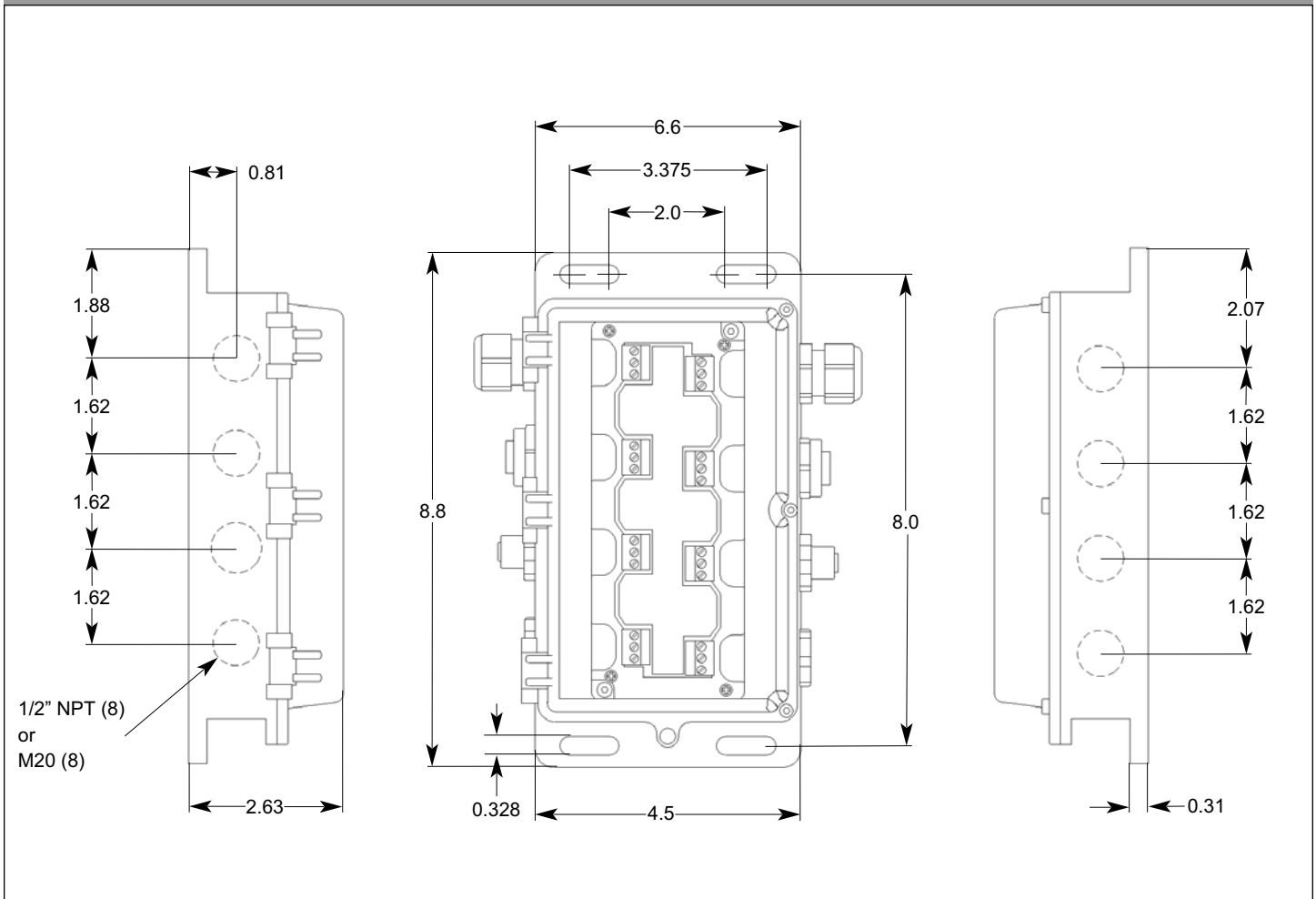
Telephone: 218.739.5774
Toll Free: 800.843.7866
Fax: 218.739.5776
E-mail: sales@stonel.com
Website: www.stonel.com

	Function	Enclosure	Entry Options	Brand	Options
FN	T02 Passive Drops, AS-Interface (Bus In/Out and (6) Drops)	C North American (NEC/CEC) D International (IEC)	P01 - (8) 1/2" NPT Conduit Entries P02 - (8) M20 Conduit Entries G01 - (8) Cable Glands N01 - (8) 4-Pin Mini Connectors (1-Male; 7-Female) M01 - (8) 4-Pin Micro Connectors (1-Male; 7-Female) C01 - (2) 1/2" NPT Conduit Entries; (6) Cable Glands C02 - (2) 1/2" NPT Conduit Entries; (6) 4-Pin Mini Connectors C04 - (2) 1/2" NPT Conduit Entries; (6) 4-Pin Micro Connectors	A StoneL M Metso N Neles	_***** (Special)

General Specifications

Materials of Construction		Operating Life	Unlimited
Housing	Epoxy Coated Anodized Aluminum	Temperature Range	-40° to +80° C (-40° to 176° F)
Cover	Polycarbonate	Enclosure Protection	NEMA 4, 4X & 6; IP67
Elastomer Seals	Silicone	Warranty	Two Years
Fasteners	Stainless Steel		

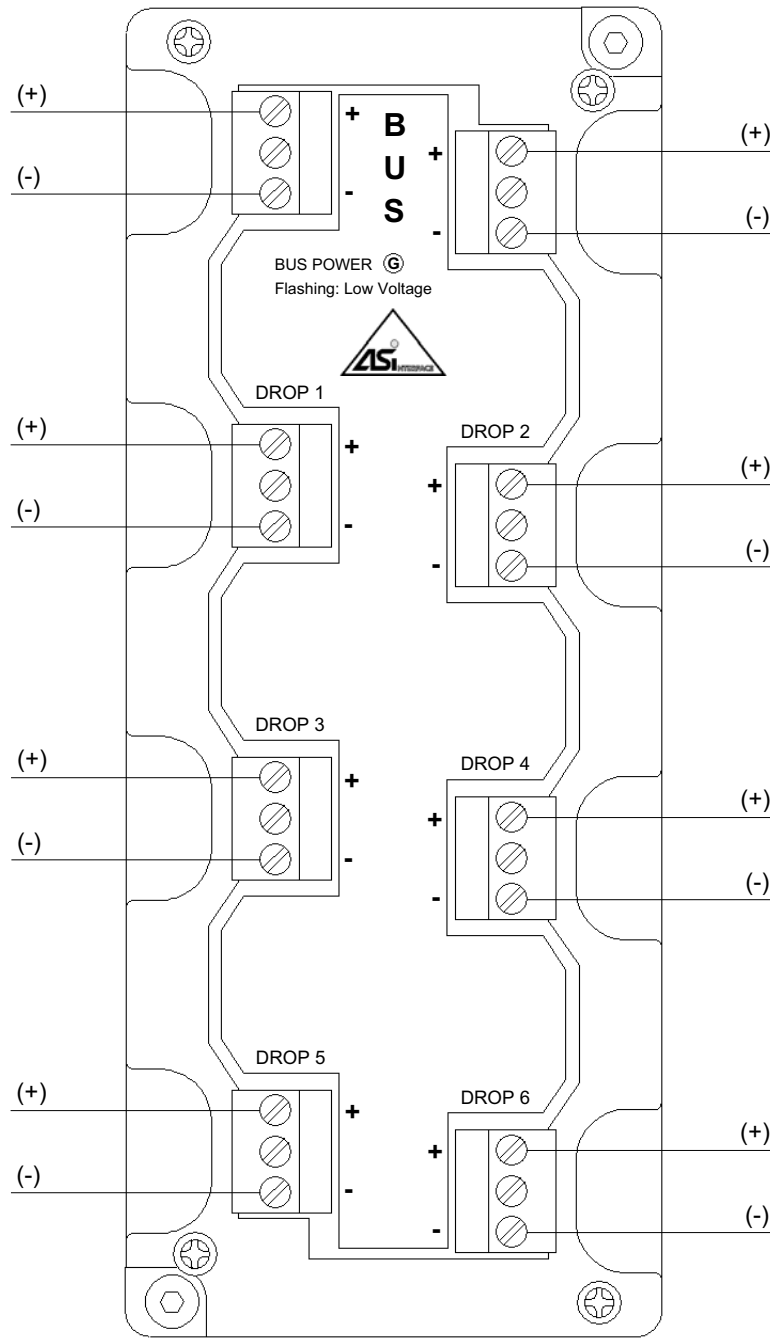
Dimensions (in inches)



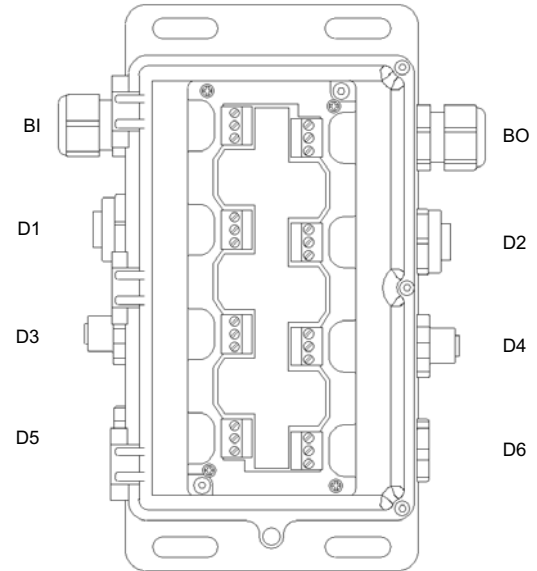
AS-Interface Passive Drop Connector

Bus in, Bus out, and (6) Passive Drops for AS-Interface networks.

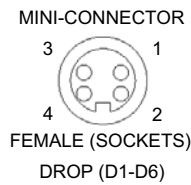
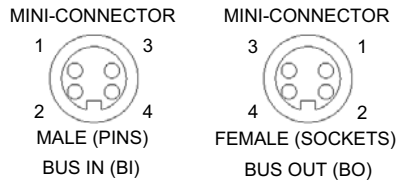
Voltage Range	0-125 VAC/VDC	Current Consumption	20mA max
Operating Voltage	AS-Interface Voltage	Voltage Drop (Trunk)	Negligible
Current Rating	8 Amps	Voltage Drop (Spur)	Negligible
Break Current	None	LED Display:	BUS POWER, Green LED (Flashing = low voltage)
Reset Current	None		



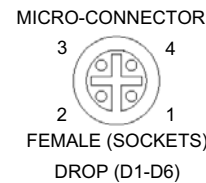
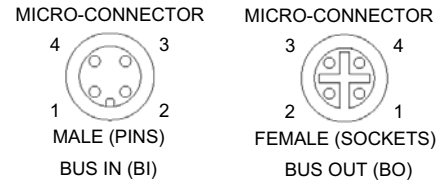
FNT02***					
BUS IN (BI) & BUS OUT (BO)					
PIN	WIRE COLOR	FNT02_N01_	FNT02_M01_	FNT02_C02_	FNT02_C04_
1	BROWN	(+)	(+)	N/A	N/A
2	No Connection	NOT USED	NOT USED	N/A	N/A
3	BLUE	(-)	(-)	N/A	N/A
4	No Connection	NOT USED	NOT USED	N/A	N/A
DROPS (D1- D6)					
1	BROWN	(+)	(+)	(+)	(+)
2	No Connection	NOT USED	NOT USED	NOT USED	NOT USED
3	BLUE	(-)	(-)	(-)	(-)
4	No Connection	NOT USED	NOT USED	NOT USED	NOT USED



MINI RECEPTACLES



MICRO RECEPTACLES (M12)



FNT02 Mounting Instructions

Mounting The FieldBlock Enclosure

1. Locate the position where the FieldBlock enclosure will be mounted. Ensure that hinged cover of the unit will have sufficient clearance to be opened.
2. Attach the FieldBlock enclosure to a wall or other stationary flat surface using the mounting holes provided.

Attaching Cables and Connectors

1. Cable glands and connectors are provided for convenient wiring. Ensure all connections are securely tightened.
2. Follow all applicable NEC codes and other regulations.

Installing & Removing Cover

1. To insure NEMA 4, 4X and 6 ratings are maintained the cover **must be** completely closed and the gasket sealed to keep out water.
2. Tighten cover screws to 05-30 inch lbs.