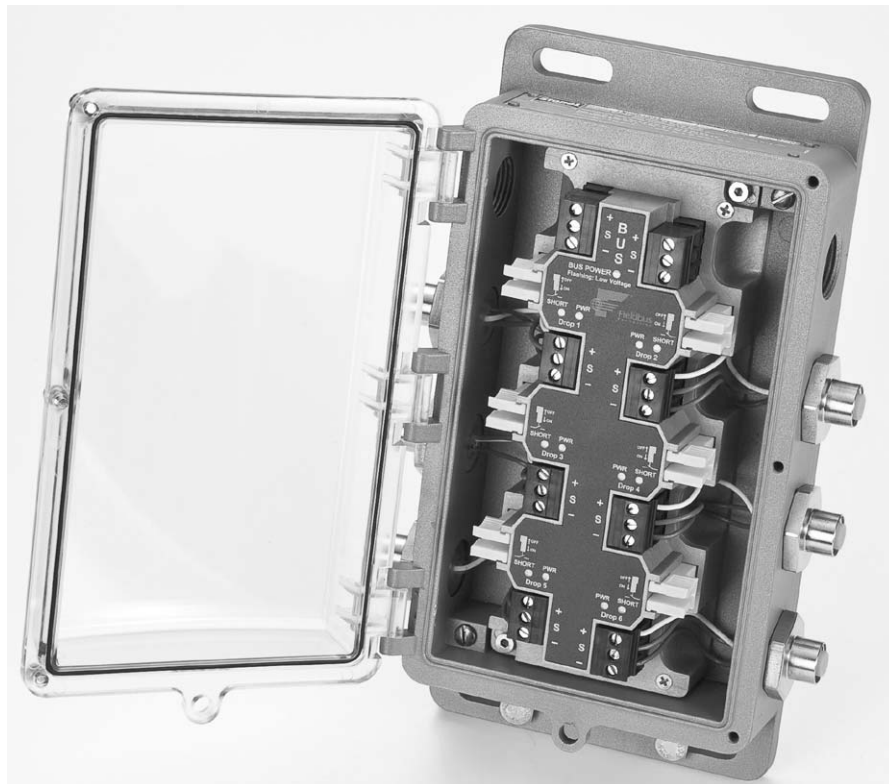


FieldBlock Nonincendive™ Enclosure (FN) with:



FOUNDATION Fieldbus or Profibus PA

(1-6) Passive Drop Connector (FNT04_____)



StoneL Corporation
One StoneL Dr
26271 US Hwy 59
Fergus Falls, MN 56537
USA

Telephone: 218.739.5774
Toll Free: 800.843.7866
Fax: 218.739.5776
E-mail: sales@stonel.com
Website: www.stonel.com

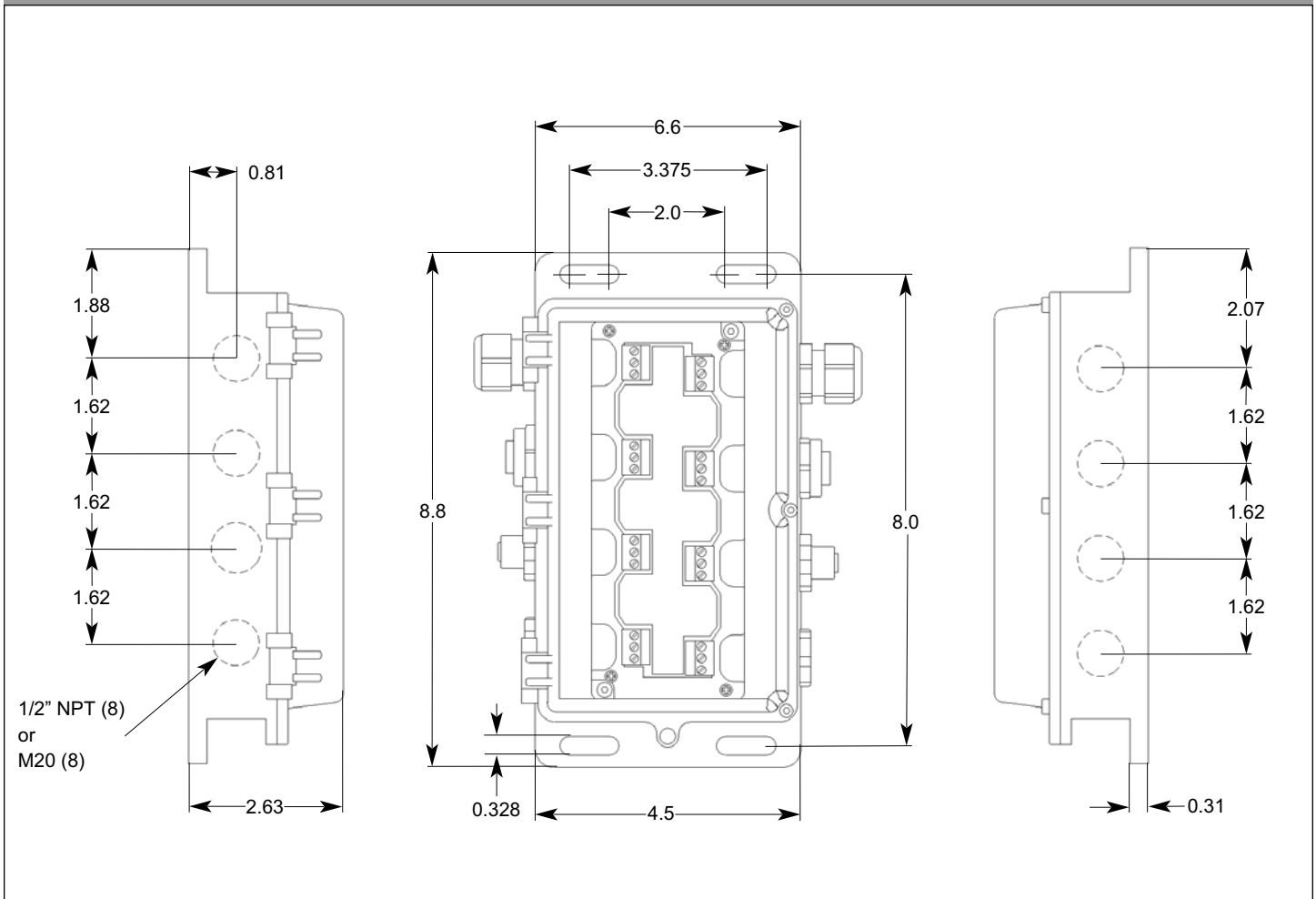
© 2008 StoneL Corporation

Function	Enclosure	Entry Options	Brand	Options
FN T04 Passive Drops, AS-Interface, FOUNDATION Fieldbus (H1) or Profibus PA (Bus In/Out and (6) Drops)	C North American (NEC/CEC) D International (IEC)	P01 - (8) 1/2" NPT Conduit Entries P02 - (8) M20 Conduit Entries G01 - (8) Cable Glands N01 - (8) 4-Pin Mini Connectors (1-Male; 7-Female) M01 - (8) 4-Pin Micro Connectors (1-Male; 7-Female) C01 - (2) 1/2" NPT Conduit Entries; (6) Cable Glands C02 - (2) 1/2" NPT Conduit Entries; (6) 4-Pin Mini Connectors C04 - (2) 1/2" NPT Conduit Entries; (6) 4-Pin Micro Connectors	A StoneL M Metso N Neles	_***** (Special)

General Specifications

Materials of Construction Housing: Epoxy Coated Anodized Aluminum Cover: Polycarbonate Elastomer Seals: Silicone Fasteners: Stainless Steel	Operating Life : Unlimited Temperature Range : -40° to +80° C (-40° to 176° F) Enclosure Protection : NEMA 4, 4X & 6; IP67 Warranty : Two Years
--	--

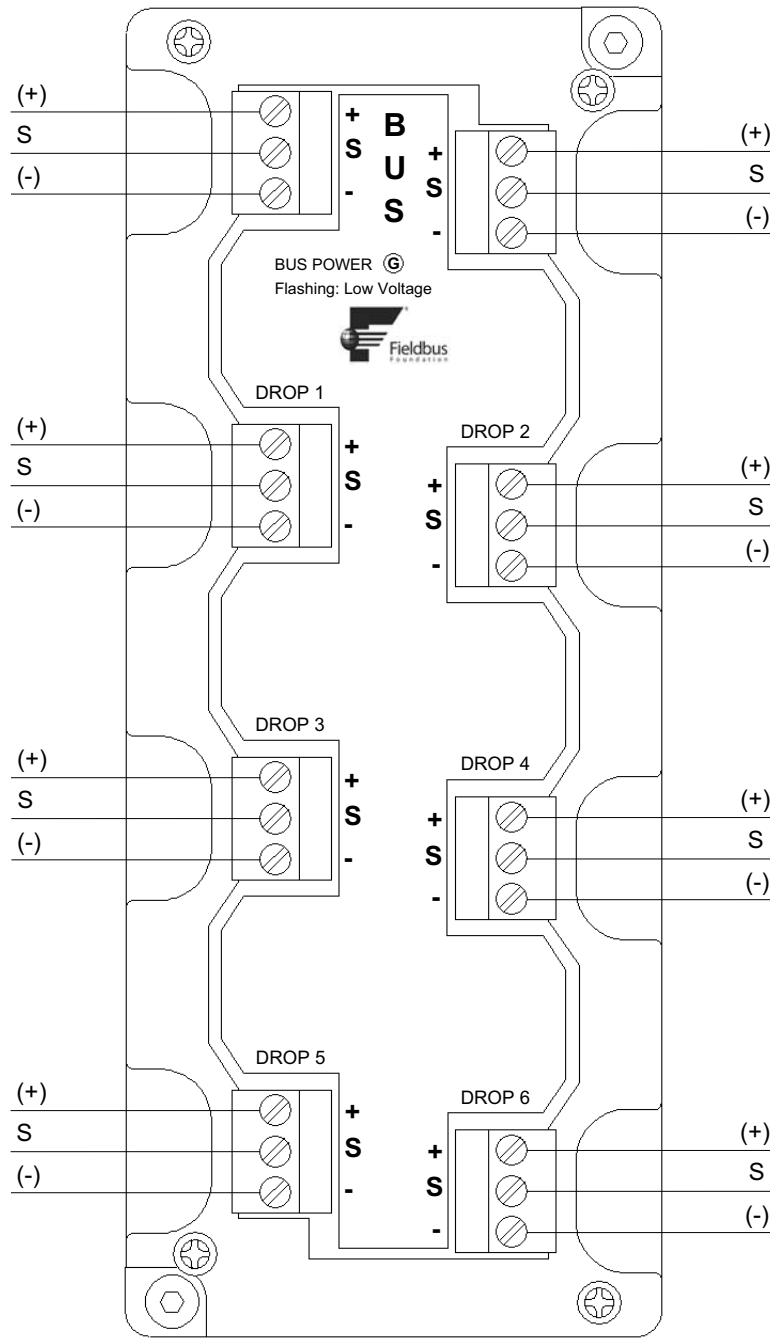
Dimensions (in inches)



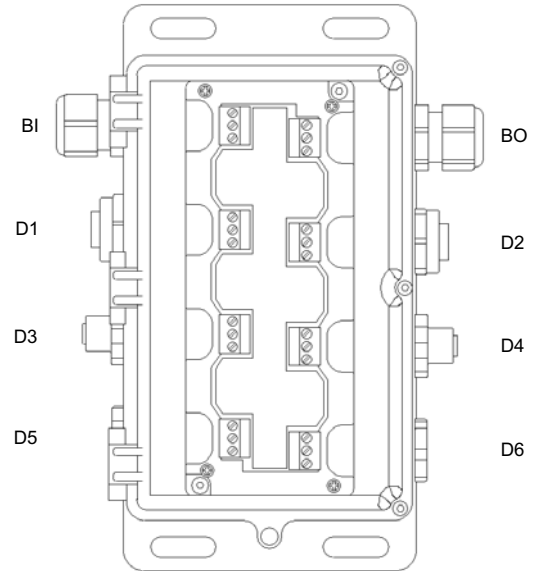
FOUNDATION Fieldbus or Profibus PA Passive Drop Connector

Bus in, Bus out, and (6) Passive Drops for FOUNDATION Fieldbus or Profibus PA networks.

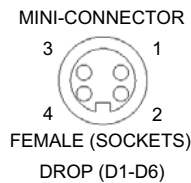
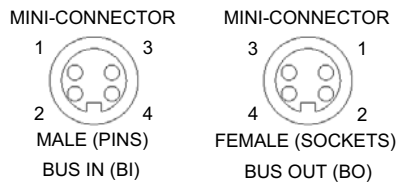
Voltage Range	0-125 VAC/VDC	Current Consumption	20mA max
Operating Voltage	F/F or Profibus PA Voltage	Voltage Drop (Trunk)	Negligible
Current Rating	8 Amps	Voltage Drop (Spur)	Negligible
Break Current	None	LED Display:	BUS POWER, Green LED (Flashing = low voltage)
Reset Current	None		



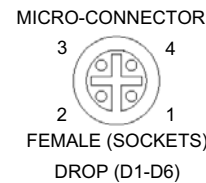
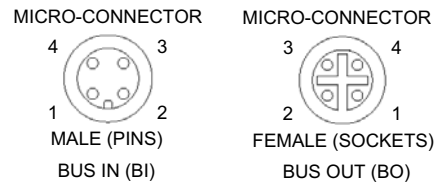
FNT04***					
BUS IN (BI) & BUS OUT (BO)					
PIN	WIRE COLOR	FNT04_N01_	FNT04_M01_	FNT04_C02_	FNT04_C04_
1	BROWN	(-)	(-)	N/A	N/A
2	WHITE	(+)	(+)	N/A	N/A
3	BLUE	Shield	Shield	N/A	N/A
4	No Connection	NOT USED	NOT USED	N/A	N/A
DROPS (D1- D6)					
1	BROWN	(-)	(-)	(-)	(-)
2	WHITE	(+)	(+)	(+)	(+)
3	BLUE	Shield	Shield	Shield	Shield
4	No Connection	NOT USED	NOT USED	NOT USED	NOT USED



MINI RECEPTACLES



MICRO RECEPTACLES (M12)



FNT04 Mounting Instructions

Mounting The FieldBlock Enclosure

1. Locate the position where the FieldBlock enclosure will be mounted. Ensure that hinged cover of the unit will have sufficient clearance to be opened.
2. Attach the FieldBlock enclosure to a wall or other stationary flat surface using the mounting holes provided.

Attaching Cables and Connectors

1. Cable glands and connectors are provided for convenient wiring. Ensure all connections are securely tightened.
2. Follow all applicable NEC codes and other regulations.

Installing & Removing Cover

1. To insure NEMA 4, 4X and 6 ratings are maintained the cover **must be** completely closed and the gasket sealed to keep out water.
2. Tighten cover screws to 05-30 inch lbs.