

FieldBlock Nonincendive™ Enclosure (FN) with:



AS-Interface (1-6) Protected Drop Connector (FNP02___)



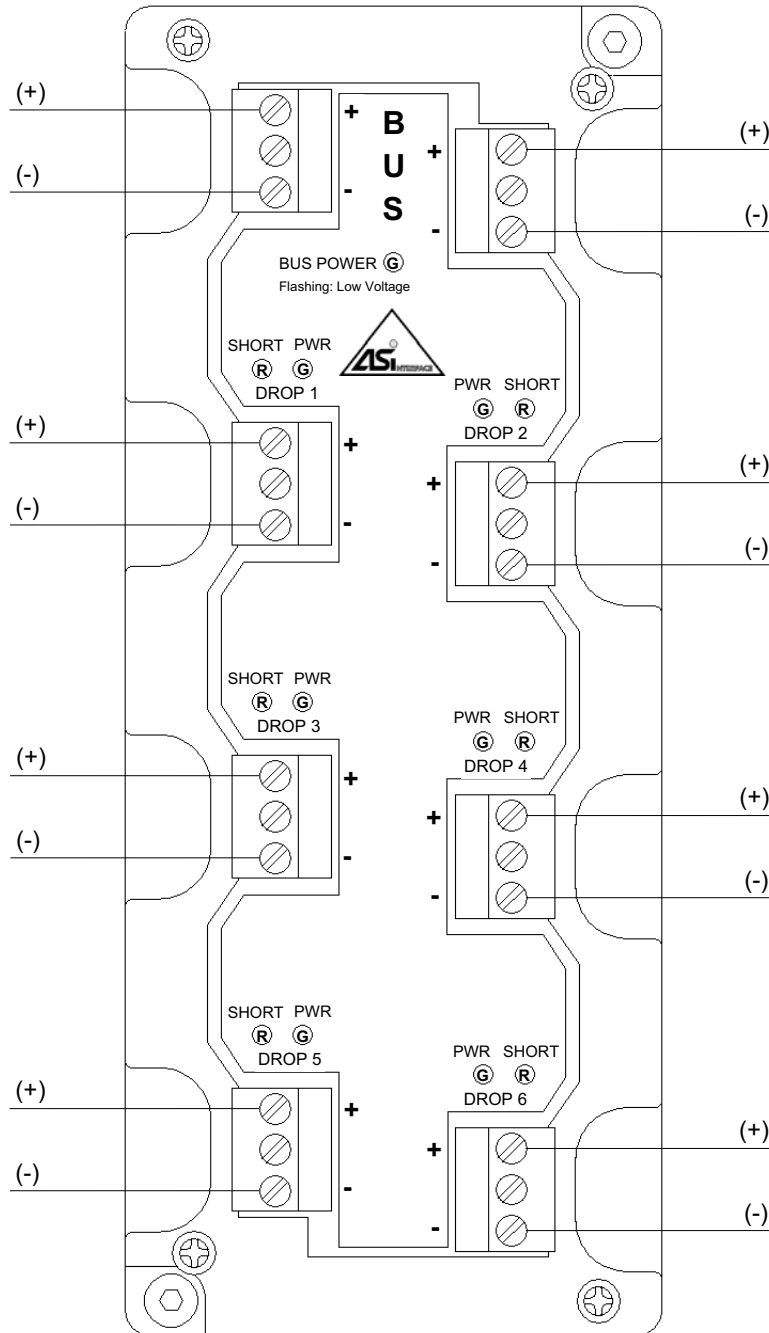
StoneL Corporation
One StoneL Dr
26271 US Hwy 59
Fergus Falls, MN 56537
USA

Telephone: 218.739.5774
Toll Free: 800.843.7866
Fax: 218.739.5776
E-mail: sales@stonel.com
Website: www.stonel.com

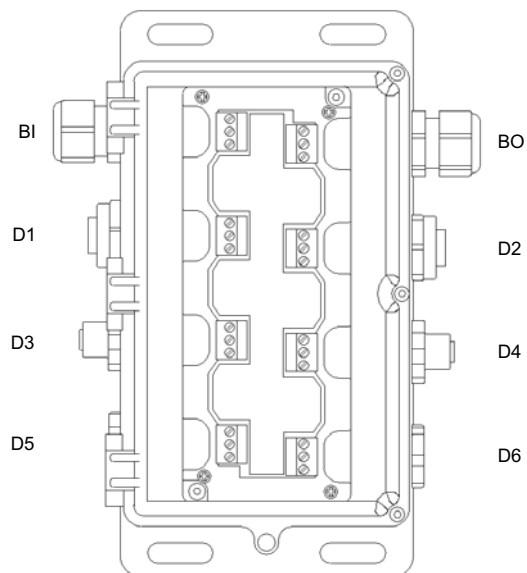
AS-Interface Protected Drop Connector

Bus in, Bus out, and (6) Protected Drops for AS-Interface networks.

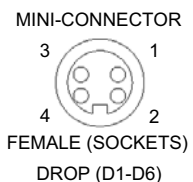
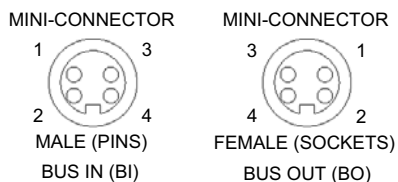
Voltage Range	35 VDC max	Current Consumption	20mA max
Operating Voltage	AS-Interface Voltage	Voltage Drop (Trunk)	Negligible
Current Rating	8 Amps (Bus)	Voltage Drop (Drop)	1.0 VDC max
Break Current	>240mA	LED Displays:	BUS POWER, Green LED (Flashing = low voltage)
Holding Current	28mA		PWR, Green LED, Drop Energized
Reset Current	<28mA		SHORT, Red LED, Drop in over-current state



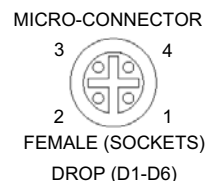
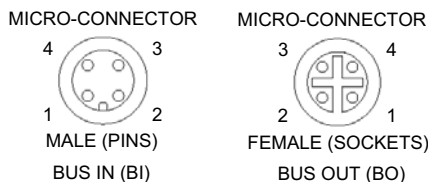
FNP02***					
BUS IN (BI) & BUS OUT (BO)					
PIN	WIRE COLOR	FNP02_N01_	FNP02_M01_	FNP02_C02_	FNP02_C04_
1	BROWN	(+)	(+)	N/A	N/A
2	No Connection	NOT USED	NOT USED	N/A	N/A
3	BLUE	(-)	(-)	N/A	N/A
4	No Connection	NOT USED	NOT USED	N/A	N/A
DROPS (D1- D6)					
1	BROWN	(+)	(+)	(+)	(+)
2	No Connection	NOT USED	NOT USED	NOT USED	NOT USED
3	BLUE	(-)	(-)	(-)	(-)
4	No Connection	NOT USED	NOT USED	NOT USED	NOT USED



MINI RECEPTACLES



MICRO RECEPTACLES (M12)



FNP02 Mounting Instructions

Mounting The FieldBlock Enclosure

1. Locate the position where the FieldBlock enclosure will be mounted. Ensure that hinged cover of the unit will have sufficient clearance to be opened.
2. Attach the FieldBlock enclosure to a wall or other stationary flat surface using the mounting holes provided.

Attaching Cables and Connectors

1. Cable glands and connectors are provided for convenient wiring. Ensure all connections are securely tightened.
2. Follow all applicable NEC codes and other regulations.

Installing & Removing Cover

1. To insure NEMA 4, 4X and 6 ratings are maintained the cover **must be** completely closed and the gasket sealed to keep out water.
2. Tighten cover screws to 05-30 inch lbs.