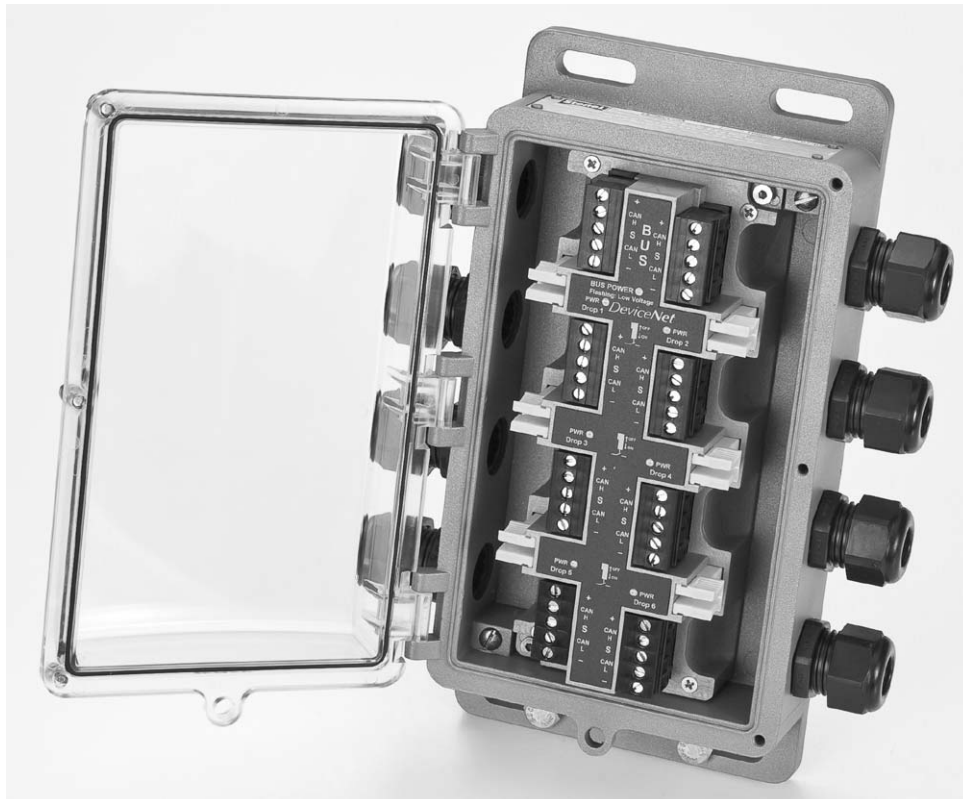


FieldBlock Nonincendive™ Enclosure (FN) with:

DeviceNet (1-6) Switched Power Protected Drop Connector (FNS06___)



StoneL Corporation
One StoneL Dr
26271 US Hwy 59
Fergus Falls, MN 56537
USA

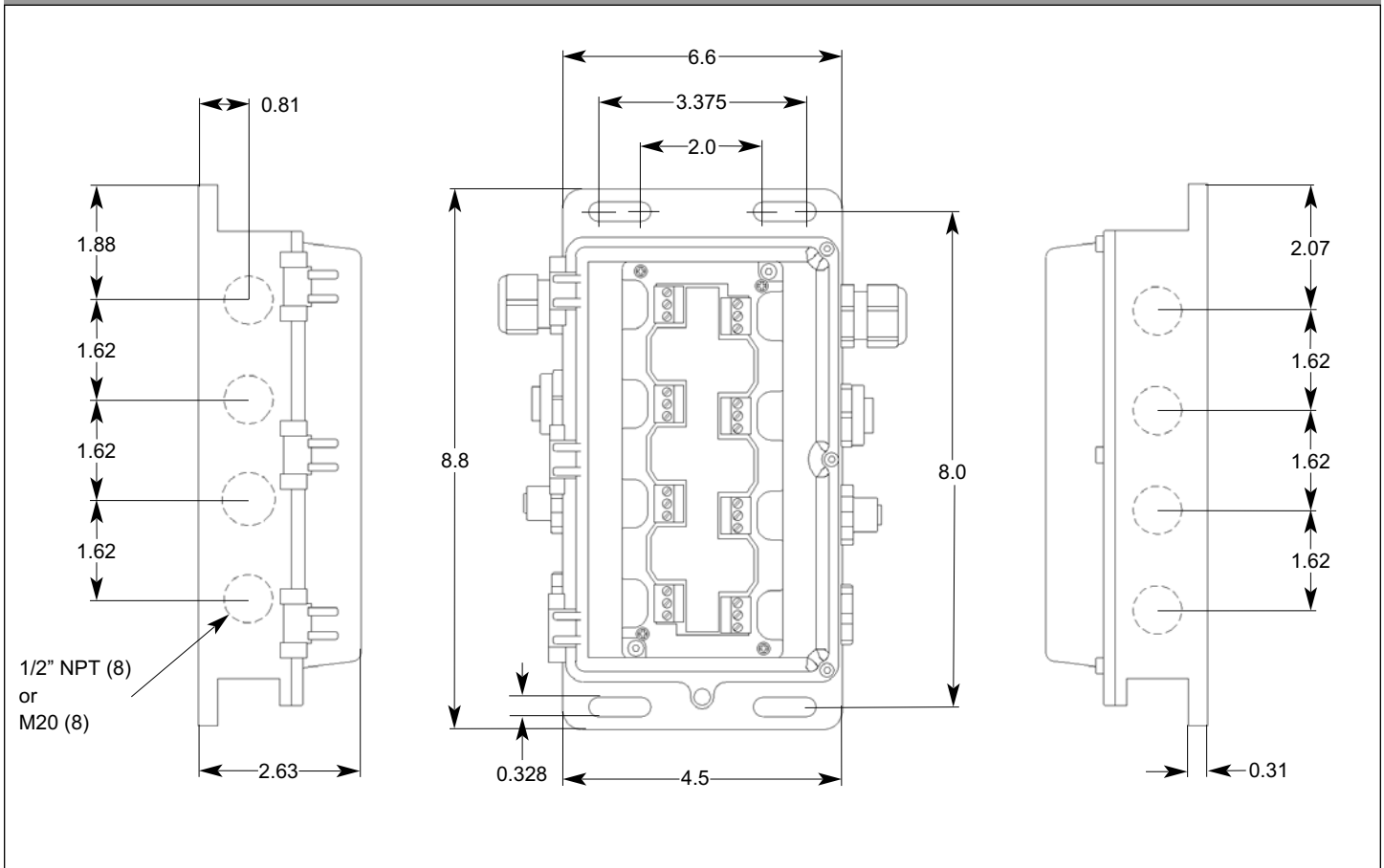
Telephone: 218.739.5774
Toll Free: 800.843.7866
Fax: 218.739.5776
E-mail: sales@stonel.com
Website: www.stonel.com

	Function	Enclosure	Entry Options	Brand	Options
FN	S06 Switched Power Protected Drops, DeviceNet (Bus In/Out and (6) Drops)	C North American (NEC/CEC) D International (IEC)	P01 - (8) 1/2" NPT Conduit Entries P02 - (8) M20 Conduit Entries G01 - (8) Small Cable Glands G02 - (2) Large Cable Glands (6) Small Cable Glands N02 - (8) 5-Pin Mini Connectors (1-Male; 7-Female) M02 - (8) 5-Pin Micro Connectors (1-Male; 7-Female) C01 - (2) 1/2" NPT Conduit Entries; (6) Cable Glands C03 - (2) 1/2" NPT Conduit Entries; (6) 5-Pin Mini Connectors C05 - (2) 1/2" NPT Conduit Entries; (6) 5-Pin Micro Connectors	A StoneL M Metso N Neles	_***** (Special)

General Specifications

Materials of Construction		Operating Life	Unlimited
Housing	Epoxy Coated Anodized Aluminum	Temperature Range	-40° to +80° C (-40° to 176° F)
Cover	Polycarbonate	Enclosure Protection	NEMA 4, 4X & 6; IP67
Elastomer Seals	Silicone	Warranty	Two Years
Fasteners	Stainless Steel		

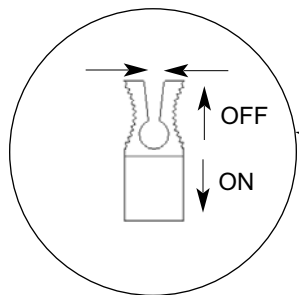
Dimensions (in inches)



DeviceNet Switched Power Protected Drop Connector

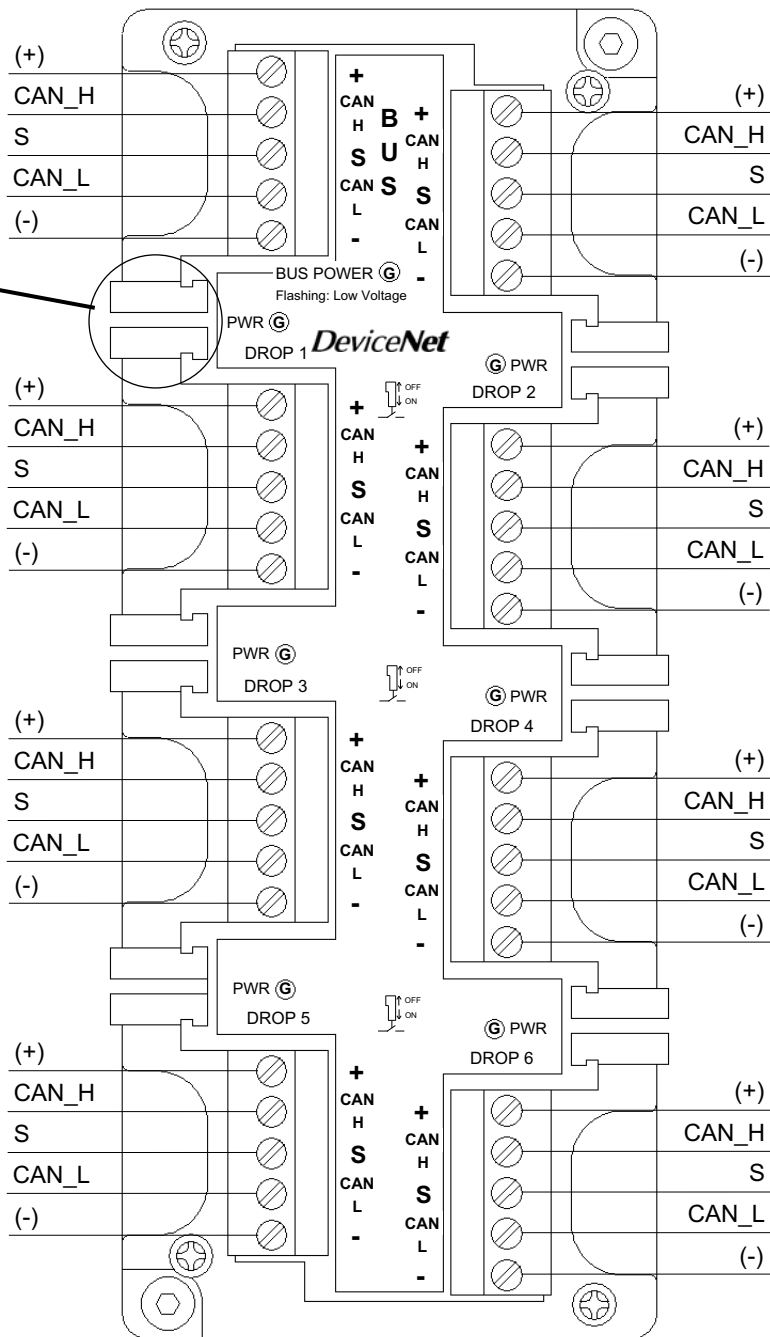
Bus in, Bus out, and (6) Switched Power Protected Drops for DeviceNet networks.

Voltage Range	35 VDC max	Current Consumption	10mA max
Operating Voltage	DeviceNet Voltage	Voltage Drop (Trunk)	Negligible
Current Rating	8 Amps (Bus)	Voltage Drop (Drop)	1.0 VDC max
Break Current	None	LED Displays: BUS POWER, Green LED (Flashing = low voltage)	
Holding Current	None	PWR, Green LED, Drop Energized	
Reset Current	None		

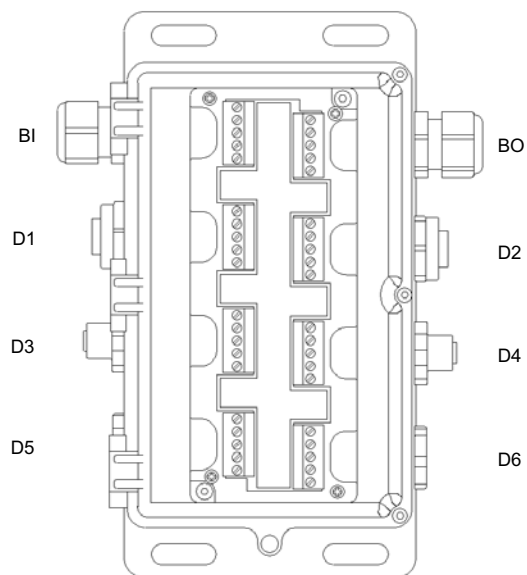


Drop Disconnect Switch Operation

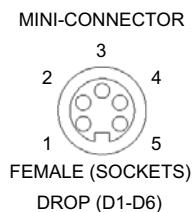
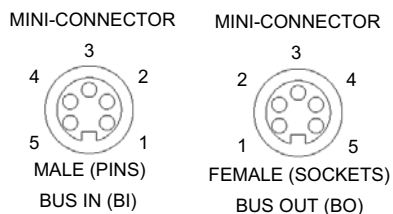
1. To energize a selected drop, compress "ears" of yellow disconnect switch with finger tips and push down. Green "PWR" LED of selected drop will light.
2. To de-energize a selected drop, compress "ears" of yellow disconnect switch with finger tips and pull up. Green "PWR" LED of selected drop will extinguish. Drop is now isolated from the network.



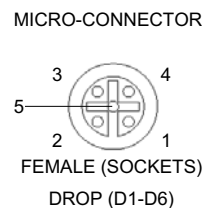
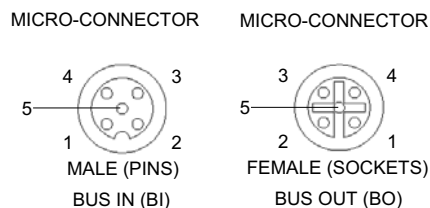
FNS06***					
BUS IN (BI) & BUS OUT (BO)					
PIN	WIRE COLOR	FNS06_N02_	FNS06_M02_	FNS06_C03_	FNS06_C05_
1	BROWN	Shield	Shield	N/A	N/A
2	WHITE	V +	V +	N/A	N/A
3	BLUE	V -	V -	N/A	N/A
4	BLACK	CAN_H	CAN_H	N/A	N/A
5	GRAY	CAN_L	CAN_L	N/A	N/A
DROPS (D1 - D6)					
1	BROWN	Shield	Shield	Shield	Shield
2	WHITE	V +	V +	V +	V +
3	BLUE	V -	V -	V -	V -
4	BLACK	CAN_H	CAN_H	CAN_H	CAN_H
5	GRAY	CAN_L	CAN_L	CAN_L	CAN_L



MINI RECEPTACLES



MICRO RECEPTACLES (M12)



FNS06 Mounting Instructions

Mounting The FieldBlock Enclosure

1. Locate the position where the FieldBlock enclosure will be mounted. Ensure that hinged cover of the unit will have sufficient clearance to be opened.
2. Attach the FieldBlock enclosure to a wall or other stationary flat surface using the mounting holes provided.

Attaching Cables and Connectors

1. Cable glands and connectors are provided for convenient wiring. Ensure all connections are securely tightened.
2. Follow all applicable NEC codes and other regulations.

Installing & Removing Cover

1. To insure NEMA 4, 4X and 6 ratings are maintained the cover **must be** completely closed and the gasket sealed to keep out water.
2. Tighten cover screws to 05-30 inch lbs.