

JM - Junction Enclosure Modules for Communication Networks

Installation & Adjusting Instructions for JMT, JMP, JMS, JMD, JMB series

The JM provides a watertight / explosion proof enclosure for a wide variety of “fieldbus” drop connectors. Passive, Protected, or Switched

Mounting The JM Enclosure

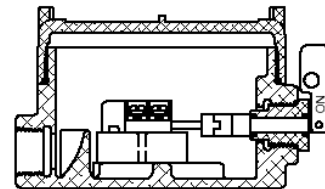
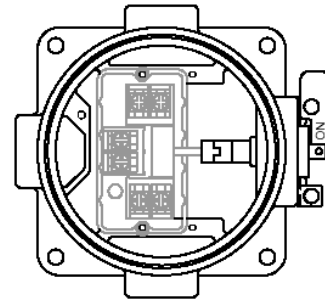
1. Locate the position where the JM enclosure will be mounted. Ensure that there is sufficient room to operate the disconnect switch levers and to remove the cover.
2. Attach the JM enclosure to a wall or other stationary flat surface using the mounting holes provided.
3. Secure the cover until hand tight

Attaching Conduit and Fittings

1. Conduit entries are provided for the convenient attachment of threaded conduit and threaded conduit fittings. Attach threaded fittings and conduits securely.
2. Follow all applicable NEC codes and other regulations.

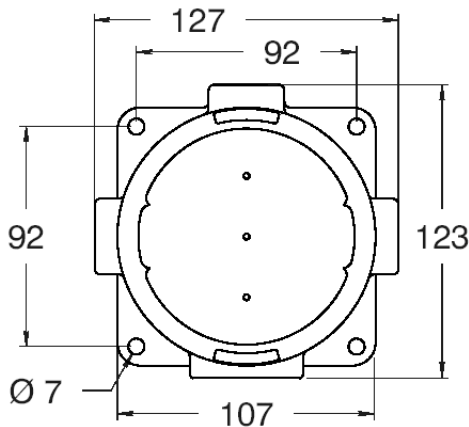
Installing & Removing Cover

1. To insure NEMA 4, 4X, 6 and hazardous location ratings are maintained the cover **must be** completely closed and the O-Ring sealed to keep out water.

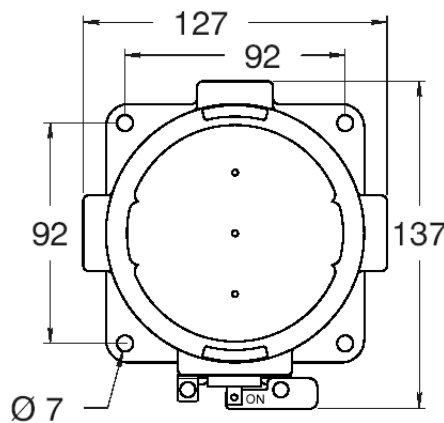


JM Dimensions (in mm)

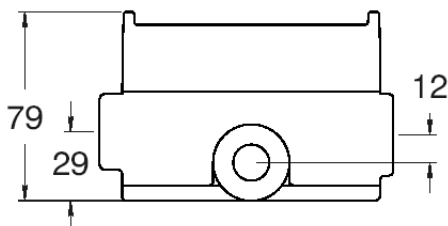
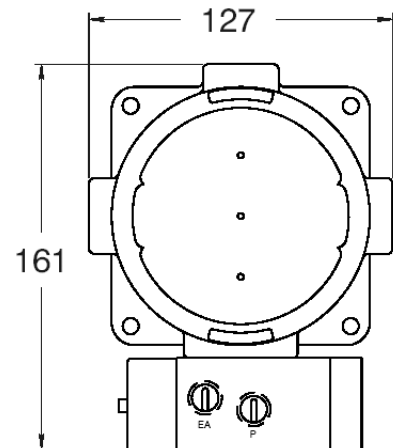
Standard Enclosure



Switched Enclosure



Enclosure w/ Cyclone Valve



StoneL Corporation
 One StoneL Dr
 26275 US Hwy 59
 Fergus Falls, MN 56537
 USA

Telephone: 218.739.5774
 Toll Free: 800.843.7866
 Fax: 218.739.5776
 E-mail: sales@stonel.com
 Website: www.stonel.com

Example: JMT0111E3

	<u>Function</u>	<u>Solenoid</u>	<u>Enclosure</u>	<u>Conduit Entries</u>
JM	T00 (1-1) Passive drop connector for 2 wire	11 No Solenoid	C Clear Cover E Epoxy Coated Aluminum	3 (3) 1/2" NPT N (4) 1/2" NPT 6 (3) M20 M (4) M20 Z Potted Leads Note: Consult factory for sealed leads on drop leg of disconnect switch for Division 1 areas.
	T01 (1-2) Passive drop connector for AS-I			
	T03 (1-2) Passive drop connector for DeviceNet			
	T05 (1-2) Passive drop connector for Modbus, DP			
	T07 (1-2) Passive drop connector for FF-H1, PA			
	P01 (1-1) Protected drop connector for FF-H1, PA (40mA)			
	P03 (1-1) Protected drop connector for AS-I (240mA)			
	S01* (1-1) Switched protected drop connector for FF-H1,PA (40mA)			
	S03* (1-1) Switched protected drop connector for AS-I (240mA)			
	S11* (1-1) Switched passive drop connector for DeviceNet			
	D00 2 (1-1) Passive drop connectors for 2 wire			
	D11 2 (1-1) Protected drop connectors for FF-H1, PA (40mA)			
	D13 2 (1-1) Protected drop connectors for AS-I (240mA)			
	B06 6 Pole Terminal Block			
	B12 12 Pole Terminal Block			
000 Housing only				
* Switched protected drop connector available only with conduit Option 3				

General Specifications

Operating Life	Unlimited
Materials of Construction	
Housing and Cover	Marine grade anodized aluminum epoxy coating
Clear Cover	Lexan® Polycarbonate
Elastomer Seals	Buna-N
Fasteners	Stainless Steel
Warranty	
Complete Assemblies	Two Years

Temperature Range	-40° to +85° C (-23° to 185° F)
Enclosure Protection	NEMA 4, 4X & 6; IP67
Hazardous Area Ratings	
Explosion Proof (Aluminum Cover)	Class I, Div. 1 and 2, Groups B,C,D Class II, Div. 1 and 2, Groups E,F,G
Non-incendive (Clear Cover)	Class I, Div. 2, Groups A,B,C,D Class II, Div. 2, Groups E,F,G
(Not all units carry approvals, consult factory)	

Lexan is a registered trademark of General Electric Corporation.

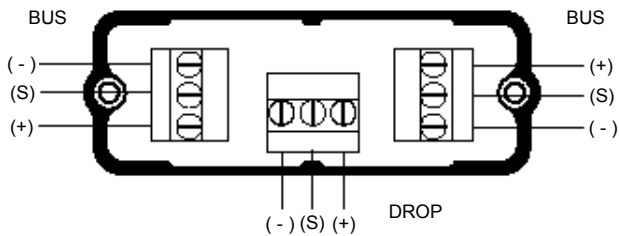


JMT00

Passive Drop Connector

- Bus in, Bus out, (1) Drop for 2 wire networks
- Provides for easy spur wiring and branching from the trunk.

Voltage Range	0-125 VAC/VDC
Current Rating	8 Amps
Break Current	None
Reset Current	None
Voltage Drop (Trunk)	Negligible
Voltage Drop (Spur)	Negligible

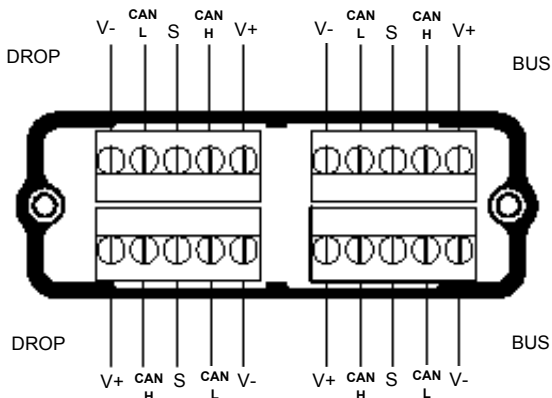


JMT03

Passive Drop Connector

- Bus in, Bus out, (2) Drops for DeviceNet networks
- Provides for easy spur wiring and branching from the trunk.

Voltage Range	0-125 VAC/VDC
Current Rating	8 Amps
Break Current	None
Reset Current	None
Voltage Drop (Trunk)	Negligible
Voltage Drop (Spur)	Negligible

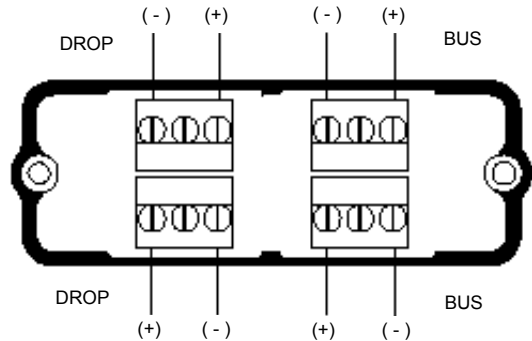


JMT01

Passive Drop Connector

- Bus in, Bus out, (2) Drops for AS-Interface networks and other 2 wire networks
- Provides for easy spur wiring and branching from the trunk.

Voltage Range	0-125 VAC/VDC
Current Rating	8 Amps
Break Current	None
Reset Current	None
Voltage Drop (Trunk)	Negligible
Voltage Drop (Spur)	Negligible

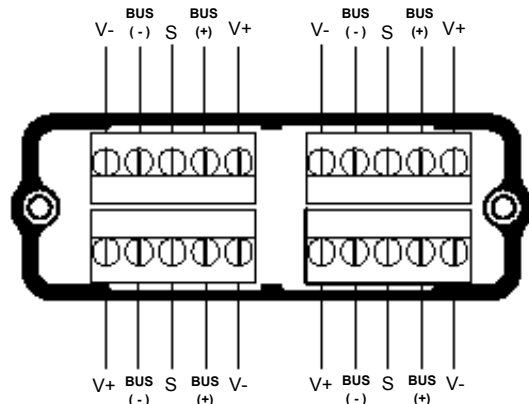


JMT05

Passive Drop Connector

- Bus in, Bus out, (2) Drops for Modbus, Profibus-DP and other 2 wire networks with separate power bus
- Provides for easy spur wiring and branching from the trunk.

Voltage Range	0-125 VAC/VDC
Current Rating	8 Amps
Break Current	None
Reset Current	None
Voltage Drop (Trunk)	Negligible



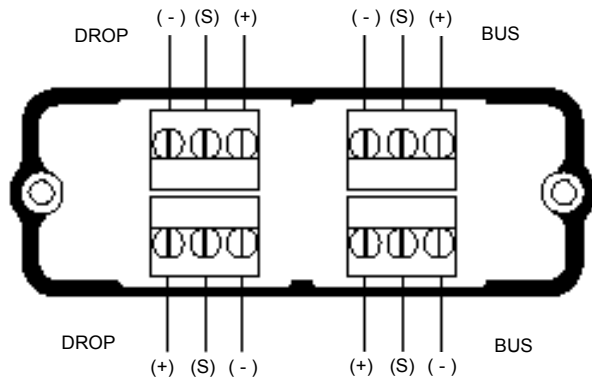
JMT, JMP, JMS, JMD, JMB Specifications & Wiring Diagrams

JMT07

Passive Drop Connector

- Bus in, Bus out, (2) Drops for Foundation Fieldbus H1 and Profibus-PA networks
- Provides for easy spur wiring and branching from the trunk.

Voltage Range	0-125 VAC/VDC
Current Rating	8 Amps
Break Current	None
Reset Current	None
Voltage Drop (Trunk)	Negligible
Voltage Drop (Spur)	Negligible

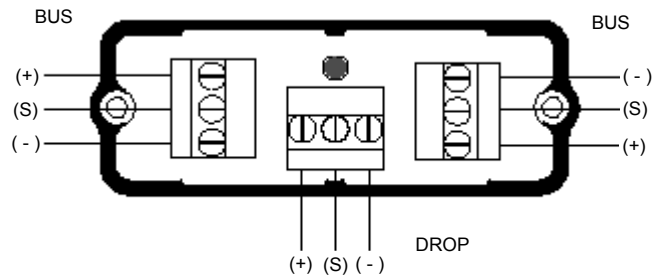


JMP01

Protected Drop Connector

- Bus in, Bus out, (1) Drop for Foundation Fieldbus H1 and Profibus-PA networks
- Provides for easy spur wiring and branching from the trunk.
- Short circuit protection on drop. Automatically resets.
- LED indicates drop fault.

Voltage Range	9-32 VDC (F/F Voltage)
Current Rating (Trunk)	8 Amps
Break Current	40 mA
Holding Current	28mA
Reset Current	<28mA
Voltage Drop (Trunk)	Negligible

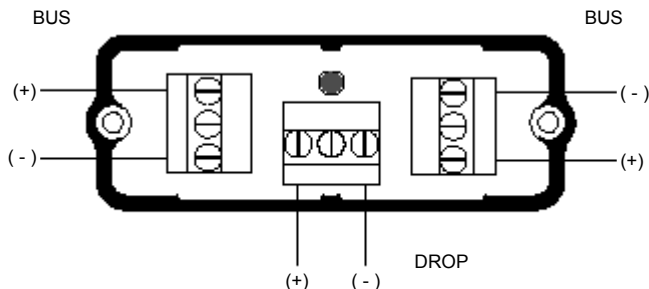


JMP03

Protected Drop Connector

- Bus in, Bus out, (1) Drop for AS-Interface networks
- Provides for easy spur wiring and branching from the trunk.
- Short circuit protection on drop. Automatically resets.
- LED indicates drop fault.

Voltage Range	AS-Interface Voltage
Current Rating (Trunk)	8 Amps
Break Current	240 mA
Holding Current	28mA
Reset Current	<28mA
Voltage Drop (Trunk)	Negligible
Voltage Drop (Spur)	1.0 Volt Max

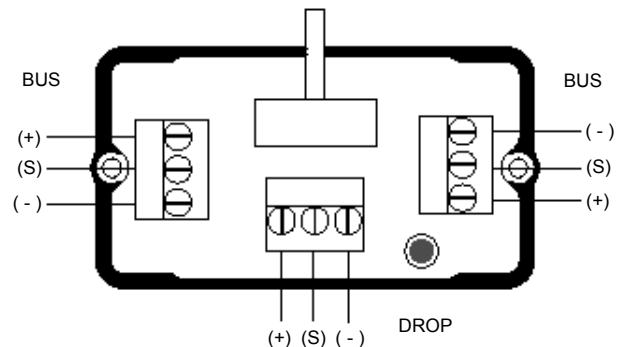


JMS01

Switched Protected Drop Connector

- Bus in, Bus out, (1) Drop for Foundation Fieldbus H1 and Profibus-PA networks
- Provides for easy spur wiring and branching from the trunk.
- Disconnect drop from bus.
- Short circuit protection on drop. Automatically resets.
- LED indicates drop fault.

Voltage Range	9-32 VDC (F/F Voltage)
Current Rating (Trunk)	8 Amps
Break Current	40 mA
Holding Current	28mA
Reset Current	<28mA
Voltage Drop (Trunk)	Negligible



JMT, JMP, JMS, JMD, JMB Specifications & Wiring Diagrams

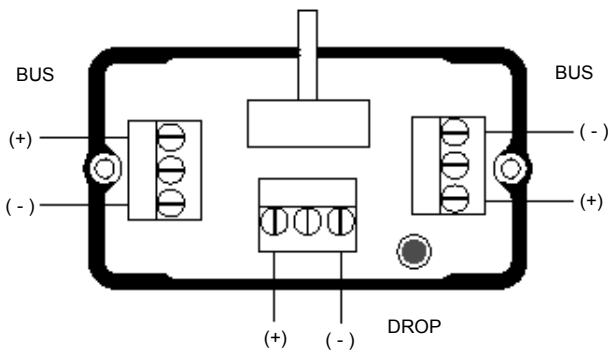
JMS03

JMS11

Switched Protected Drop Connector

- Bus in, Bus out, (1) Drop for AS-Interface networks
- Provides for easy spur wiring and branching from the trunk.
- Disconnect drop from bus.
- Short circuit protection on drop. Automatically resets.
- LED indicates drop fault.

Voltage Range	AS-Interface Voltage
Current Rating (Trunk)	8 Amps
Break Current	240 mA
Holding Current	28mA
Reset Current	<28mA
Voltage Drop (Trunk)	Negligible
Voltage Drop (Spur)	1.0 Volt Max

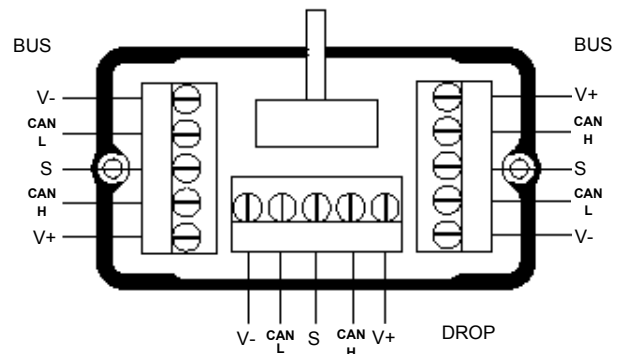


JMD00

Switched Passive Drop Connector

- Bus in, Bus out, (1) Drop for DeviceNet networks
- Provides for easy spur wiring and branching from the trunk.
- Disconnect drop from bus.

Voltage Range	24 VDC (DeviceNet Voltage)
Current Rating	8 Amps
Break Current	None
Reset Current	None
Voltage Drop (Trunk)	Negligible
Voltage Drop (Spur)	1.0 Volt Max

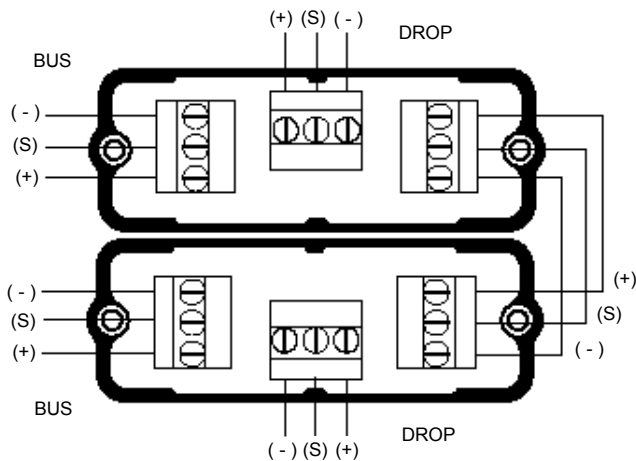


JMD11

Passive Drop Connectors

- (2) Bus in's, (2) Bus out's, (2) Drops for 2 wire systems
- Provides for easy spur wiring and branching from the trunk

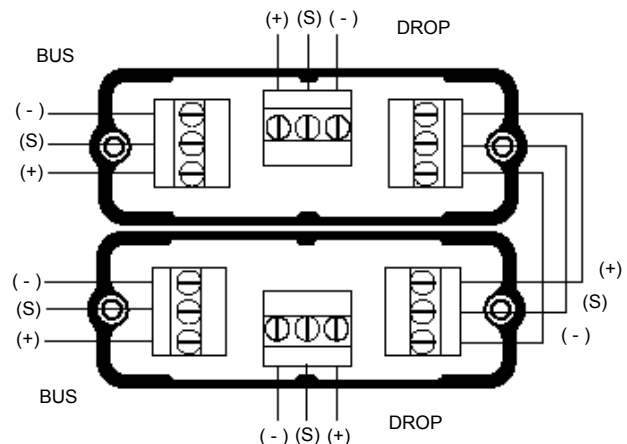
Voltage Range	0-125 VAC/VDC
Current Rating	8 Amps
Break Current	None
Reset Current	None
Voltage Drop (Trunk)	Negligible
Voltage Drop (Spur)	Negligible



Protected Drop Connectors

- (2) Bus in's, (2) Bus out's, (2) Drops for Foundation Fieldbus H1 and Profibus-PA networks
- Short circuit protection on drop. LED indicates drop fault.

Voltage Range	9-32 VDC (F/F Voltage)
Current Rating (Trunk)	8 Amps
Break Current	40 mA
Holding Current	28mA
Reset Current	<28mA
Voltage Drop (Trunk)	Negligible
Voltage Drop (Spur)	1.0 Volt Max



JMT, JMP, JMS, JMD, JMB Specifications & Wiring Diagrams

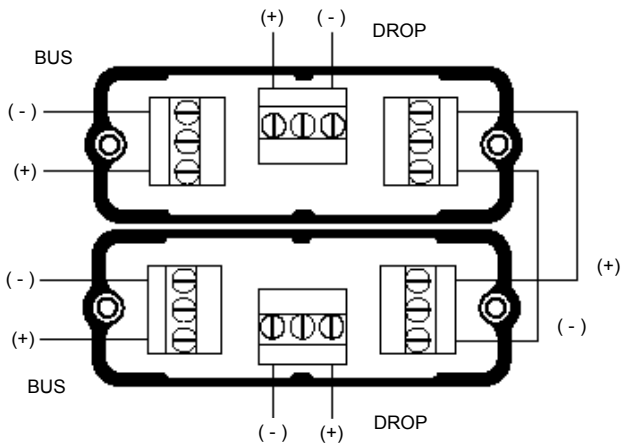
JMD13

Protected Drop Connectors

- (2) Bus in's, (2) Bus out's, (2) Drops for AS-Interface networks

- Short circuit protection on drop. LED indicates drop fault.

Voltage Range	AS-Interface Voltage
Current Rating (Trunk)	8 Amps
Break Current	240 mA
Holding Current	28mA
Reset Current	<28mA
Voltage Drop (Trunk)	Negligible
Voltage Drop (Spur)	1.0 Volt Max



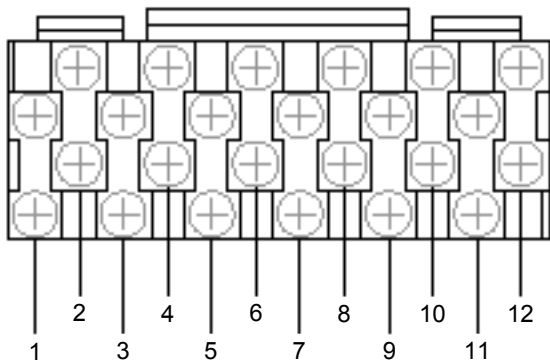
JMB12

12 Pole Terminal Block

- Provides convenient termination points in a rugged junction box

- Accepts up to 12 AWG wire or (2) 14 AWG wires

Voltage	0-300 VAC/VDC
Current Rating	20 amps



JMB06

6 Pole Terminal Block

- Provides convenient termination points in a rugged junction box

- Accepts up to 12 AWG wire or (2) 14 AWG wires

Voltage	0-300 VAC/VDC
Current Rating	20 amps

