

Drop Connectors

StoneL Model 461072

Protected Multi-drop Connector (4 Drops)

This protected multi-drop connector is compact with DIN rail mount for wiring AS-Interface networks. It provides terminations for Bus In, Bus Out, and four (4) individual drops or spurs. Each drop has a protection circuit, ensuring that a short circuit on a drop will not affect the rest of the bus.

Features

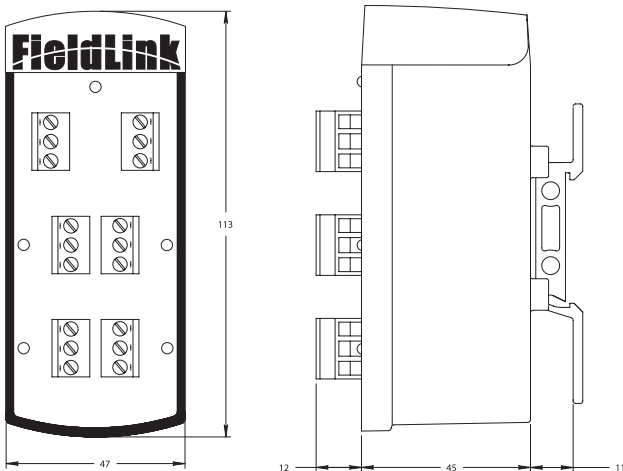
- AS-Interface power status LED
- Short circuit protection
- LED indication of short circuits
- DIN rail mounting
- IP20 housing



Specifications

Protocol	• AS-Interface
Max Spurs (Drops)	• 4
Type	• Protected drops
Max Current, Bus Trunk	• 8 Amp
Voltage Drop, Bus Trunk	• Negligible
Voltage Drop, Spur	• 1 VDC max
Trip Current	• 240 mA
Holding Current	• 28 mA
Reset Current	• 28 mA
Max Voltage	• 35 VDC
Current Consumption	• 4mA
Displays	• AS-Interface power status, green LED drop short indication, (4) Red LED
Operating Temp.	• -40° to +85°C (-40° to +185°F)
Storage Temp.	• -40° to +85°C (-40° to +185°F)
Housing	• Engineered resin, DIN rail mounting
Housing Dimensions	• 113mm, 47mm, 68mm (L, W, H)
Ingress Protection	• IP20

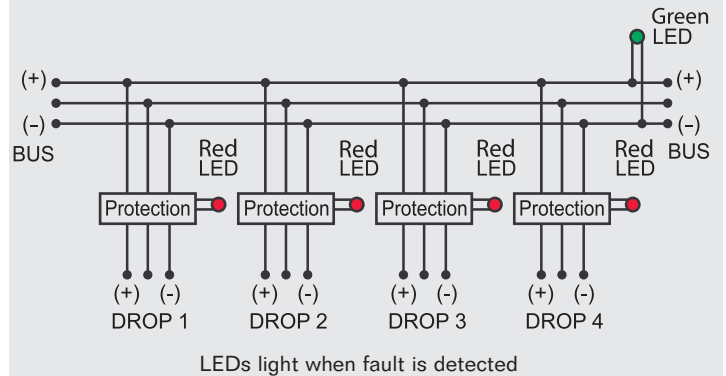
Dimensions (in mm)



Enclosure Option



Schematic Drawing



Wiring Diagram

