

Drop Connectors

StoneL Model 461146, 465033

Protected Drop Switch (1 Drop)

Designed for AS-Interface Networks, this switched drop connector offers a very convenient method to remove, replace, or repair a device while the balance of the network remains on-line. It allows the user to disconnect a drop segment from the rest of the bus by flipping a switch.

Features

- Disconnects segment
- Compact modular design
- Direct mount and DIN rail mount available
- Short circuit protection (100mA)
- LED indicates drop fault



Specifications

Model Numbers	• 461146, 465033
Maximum Voltage	• 35VDC
Max. Current, Bus Trunk line	• 8 Amps
Trip Current, Drop	• 100mA
Voltage Drop, Bus Leg	• Negligible
Voltage Drop, Drop Leg	• 1 Volt Max
Holding Current	• 28mA (After Trip)
Reset Current Level	• Current falls below 28mA
Dimensions (L, W, H)	• 75mm, 49mm, 40mm
Operating Temp.	• -40° to +85°C (-40° to +185°F)
Storage Temp.	• -40° to +85°C (-40° to +185°F)



Enclosure Option

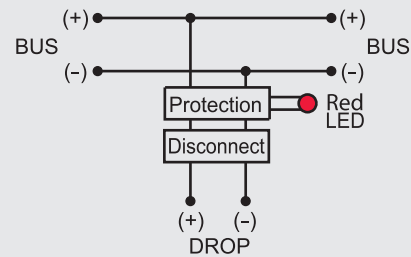


p.154

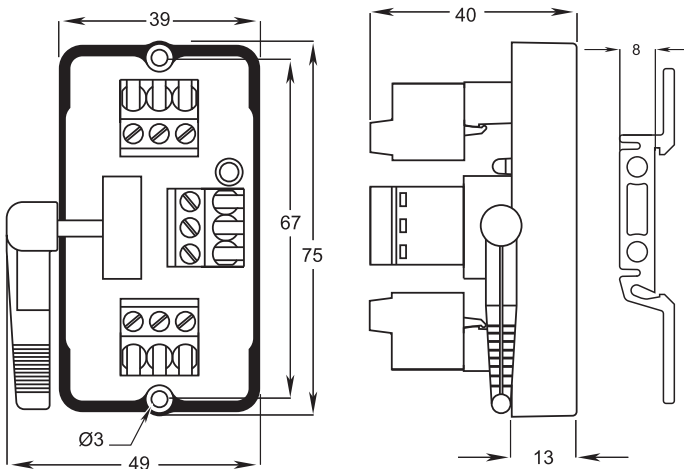


p.166

Schematic Drawing



Dimensions (in mm)



Available with DIN Rail Clip. Specify model # 465033

Wiring Diagram

