

## Drop connectors

Model number

**DR461053A**

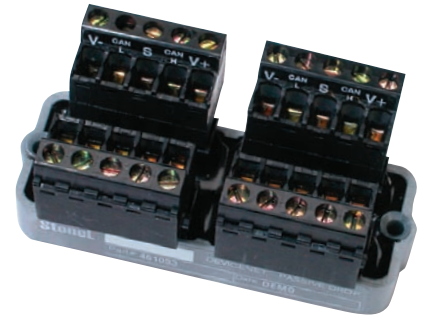
**DR465002A (DIN)**

### Passive multi-drop connector (2 drops)

This multi-drop connector is compact with direct-mount for wiring DeviceNet networks. This device provides terminations for bus in, bus out, and two (2) individual drops or spurs.

#### Features

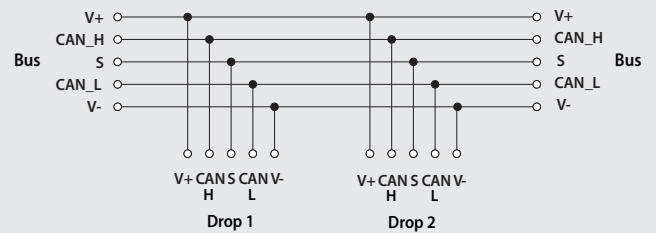
- IP20 housing
- Direct mount or DIN rail mount available



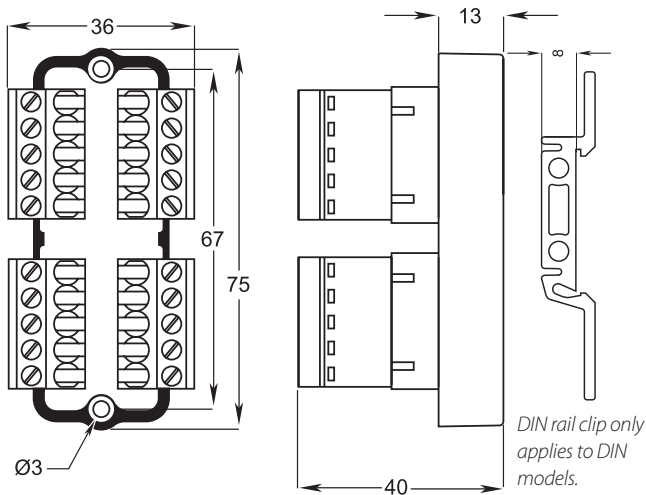
DeviceNet™

Specifications	
Maximum voltage	35 VDC
Maximum current (trunk)	8 amps
Voltage drop (trunk)	Negligible
Voltage drop (drop)	Negligible
Trip current (drop)	No trip current
Maximum devices per drop	No limit
Current consumption	None
Dimensions (L, W, H)	75mm, 36mm, 40mm
Housing	Engineered resin
Operating temperature	-40° to +80°C (-40° to +176°F)

### Schematic drawing



### Dimensions (mm)



### Wiring diagram

