

Drop connectors

Model number

DR461068A

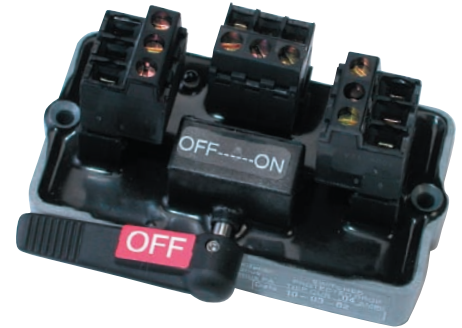
DR465008A (DIN)

Switched multi-drop connector/device coupler

This switched drop connector offers a very convenient method to remove, replace, or repair a device while the balance of the network remains on-line. It allows the user to disconnect a drop segment from the rest of the bus by flipping a switch.

Features

- Disconnect bus segments
- Short circuit protection
- LED indicates drop fault
- Direct mount or DIN rail mount available

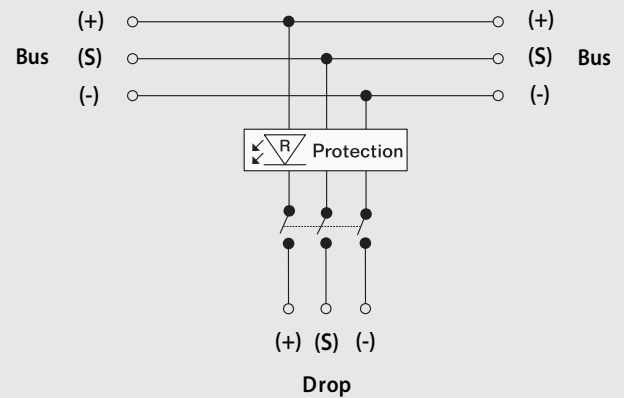


PROFIBUS

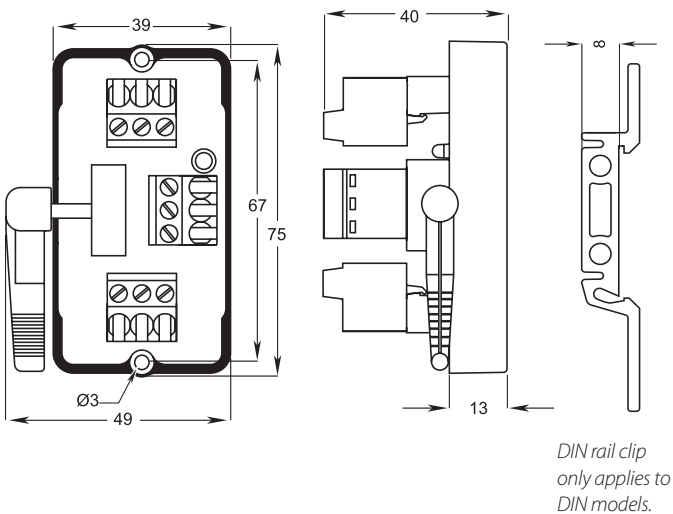
Specifications

Protocol	Profibus-PA
Maximum voltage	35 VDC
Maximum current (trunk)	8 amps
Voltage drop (trunk)	Negligible
Voltage drop (drop)	< 1V
Trip current (drop)	40 mA
Holding current (after trip)	28 mA
Reset current level	Current falls below 28 mA
Maximum devices per drop	1
Current consumption	None
Dimensions (L, W, H)	75mm, 49mm, 40mm
Housing	Engineered resin
Operating temperature	-40° to +80°C (-40° to +176°F)

Schematic drawing



Dimensions (mm)



Wiring diagram

