

Input/output modules

Model number
IO97Y02FA
IO97W02FA (DIN)



These I/O modules are designed to function as an AS-Interface slave device with termination points for connecting switches/sensors as well as output devices, such as solenoid valves and relays.

Features

- Four (4) discrete inputs
- Three (3) power outputs
- LED input and output status displays
- AS-Interface power ok LED
- Direct mount or DIN rail mount available
- Extended addressing feature (A/B addresses) 62 per network



Specifications	
AS-Interface profile	ID = A, I/O = 7 (4DI, 3DO)
Discrete inputs	(4) 3 mA @ 28 VDC; gold contact mechanical, low power reed, or proximity sensor
Discrete outputs	(3) 28 VDC (4 watts total power available)
Operating voltage	AS-Interface voltage
Current consumption	< 40 mA (with no outputs energized)
Indication	(4) input state LEDs (green) (3) output state LEDs (green) (1) AS-i power ok LED (green)
Dimensions (L, W, H)	100mm, 67mm, 63mm
Housing	Engineered resin
Operating temperature	-40° to +80°C (-40° to +176°F)

AS-Interface profile and data locations

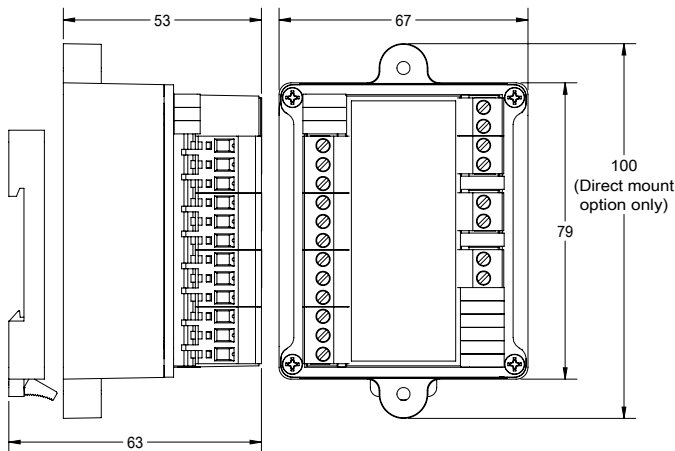
Input data

- Input 0 = DIO
- Input 1 = DI1
- Input 2 = DI2
- Input 3 = DI3

Output data

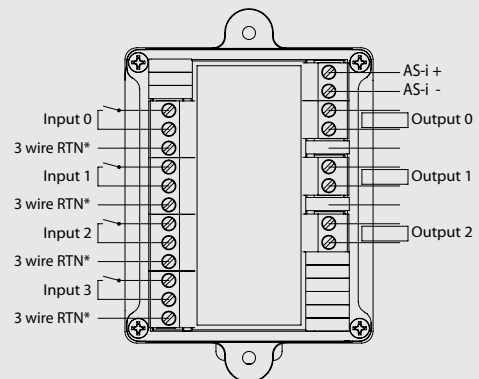
- Output 0 = DO0
- Output 1 = DO1
- Output 2 = DO2
- Output 3 = N/A

Dimensions (mm)



DIN rail clip only applies to DIN models

Wiring diagram



*Only for use with 3 wire PNP sensors