

# Input/relay output modules

**Model number**

**IO97Y12FA**  
Interlocking

**IO97W12FA (DIN)**  
Interlocking

**IO97Y07FA**  
Independent

**IO97W07FA (DIN)**  
Independent



## Input/output module with externally-powered relay outputs

This I/O module is designed to function as an AS-Interface node with termination points for connecting switches/sensors, as well as relay outputs to operate devices like motors and other high power devices. Available with interlocked outputs to operate AC motors, or independent outputs to operate independent AC loads.

**Features**

- Four (4) discrete inputs
- Two (2) relay outputs and one (1) discrete output
- LED input and output displays
- Direct mount or DIN rail mount available
- Extended addressing feature (A/B addresses) 62 per network



Specifications	
AS-Interface profile	ID = A, I/O = 7 (4DI, 3DO)
Discrete inputs	(4) 3mA @ 28VDC gold contact mechanical, low power reed, or proximity sensor
Discrete outputs (relay)	independent (2) 120/250VAC fused @ 2A independent for other AC loads
	interlocking (2) 120/250VAC fused @ 2A interlocked for motor operation
Bus powered outputs	(1) 28VDC (4 watts total power available)
Operating voltage	AS-Interface voltage
Current consumption	<40mA (with no outputs energized)
Indication	(4) input state LEDs (green)
	(3) output state LEDs (green)
	(1) AS-i power ok LED (green)
External voltage (relay outputs)	Up to 250 VAC; 30 VDC
Dimensions (L, W, H)	100mm, 67mm, 63mm
Housing	Engineered resin
Operating temperature	-40° to +80°C (-40° to +176°F)

## AS-Interface profile and data locations

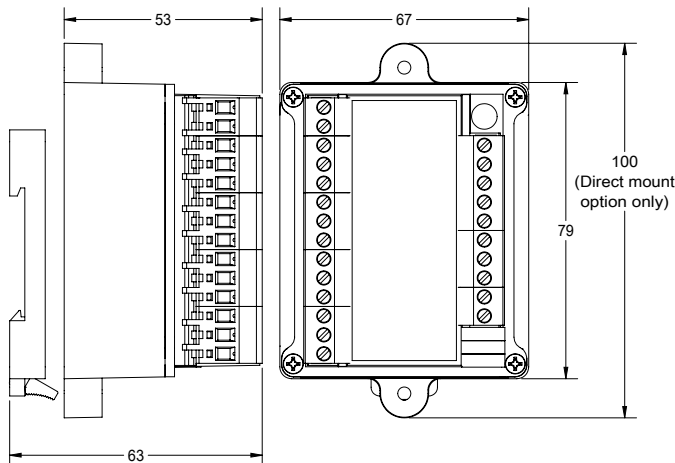
**Input data**

- Input 0 = DIO
- Input 1 = DI1
- Input 2 = DI2
- Input 3 = DI3

**Output data**

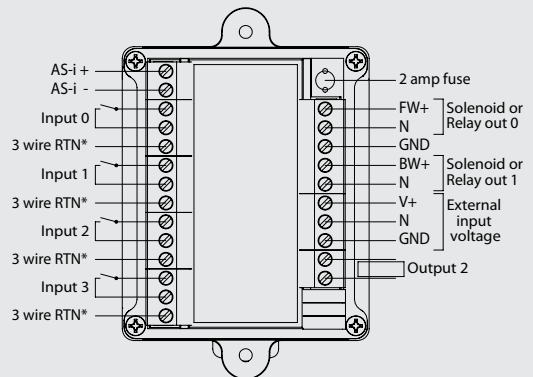
- Relay output 0 = DO0
- Relay output 1 = DO1
- Output 2 = DO2
- Output 3 = Not used

## Dimensions (mm)



DIN rail clip only applies to DIN models.

## Wiring diagram



\*Only for use with 3 wire PNP sensors