

Input/output modules

Model number

IM461134A

IM465027A (DIN)



Input/externally powered (24VDC) output module

This I/O module is designed to function as a Foundation Fieldbus node with termination points for connecting switches/sensors as well as output devices such as solenoid valves and relays. Outputs can be configured to fail on or off.

Inputs and outputs

- Two (2) discrete inputs (LED indication)
- Two (2) discrete 24VDC outputs (externally powered)

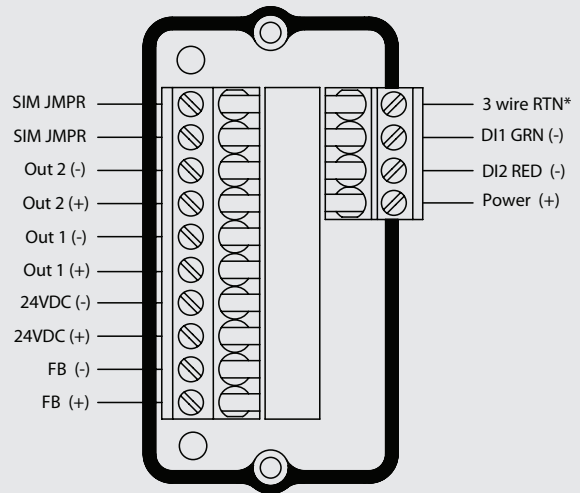
Features

- Pre-determined output fail state
- Date of last service



Specifications	
Discrete inputs	(2) 6.5 VDC < .045 mA, must be low power dry contact capable of operating at < .045 mA @ 6.5 VDC or solid state pnp capable of operating at 6.5 VDC and < 1 mA
Discrete outputs	(2) 24 VDC (4 watts total power)
Operating voltage	9 to 32 VDC via Foundation Fieldbus voltage
Current consumption	< 17 mA from Foundation Fieldbus
Indication	(2) LEDs indicate discrete input status (red/green)
External voltage	24 VDC via external power
Data rate	31.25 Kb/s
Dimensions (L, W, H)	75mm, 43mm, 40mm
Housing	Engineered resin
Operating temperature	-40° to +80°C (-40° to +176°F)

Wiring diagram



**Only for use with 3 wire PNP sensors*

Dimensions (mm)

