

## DeviceNet DeviceNet Input/Output Modules

461007 - (Flat mount)

465012 - (DIN rail mount)

These I/O Modules are designed to function as DeviceNet nodes with termination points for connecting switches/sensors (discrete and analog), as well as outputs to operate devices such as low power solenoid valves and relays.

### Inputs and Outputs

- Two (2) Discrete Inputs
- Two (2) Discrete Outputs
- One (1) Analog Input

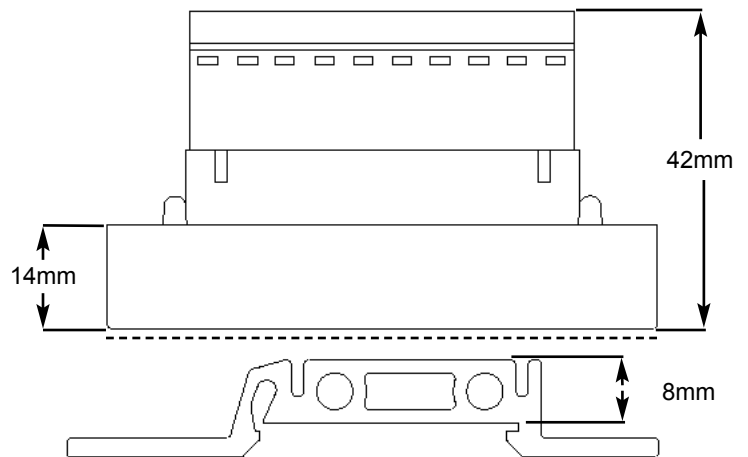
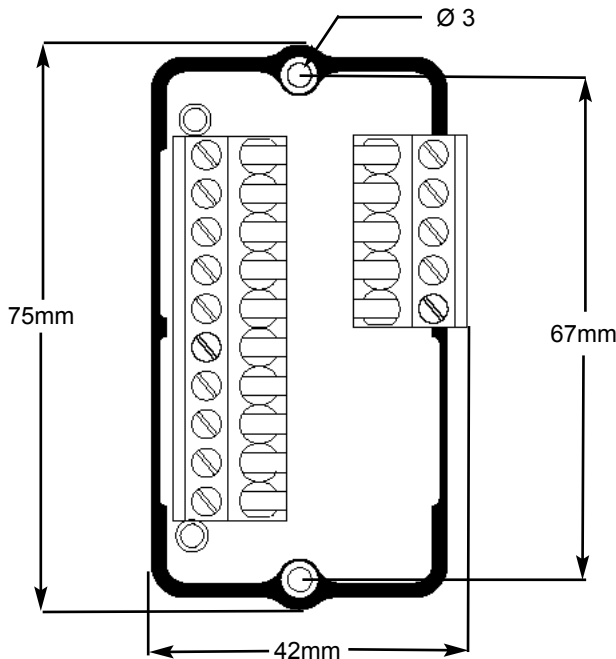
### Features

- LED input displays for Inputs 1 & 2
- Pre-determined output fail state
- Cycle count
- Date of last service
- Direct mount or DIN rail mount



(See reverse for specifications and detailed wiring instructions)

### Input/Output Module Dimensions (in mm)



StoneL Corporation  
 One StoneL Dr  
 26275 US Hwy 59  
 Fergus Falls, MN 56537  
 USA

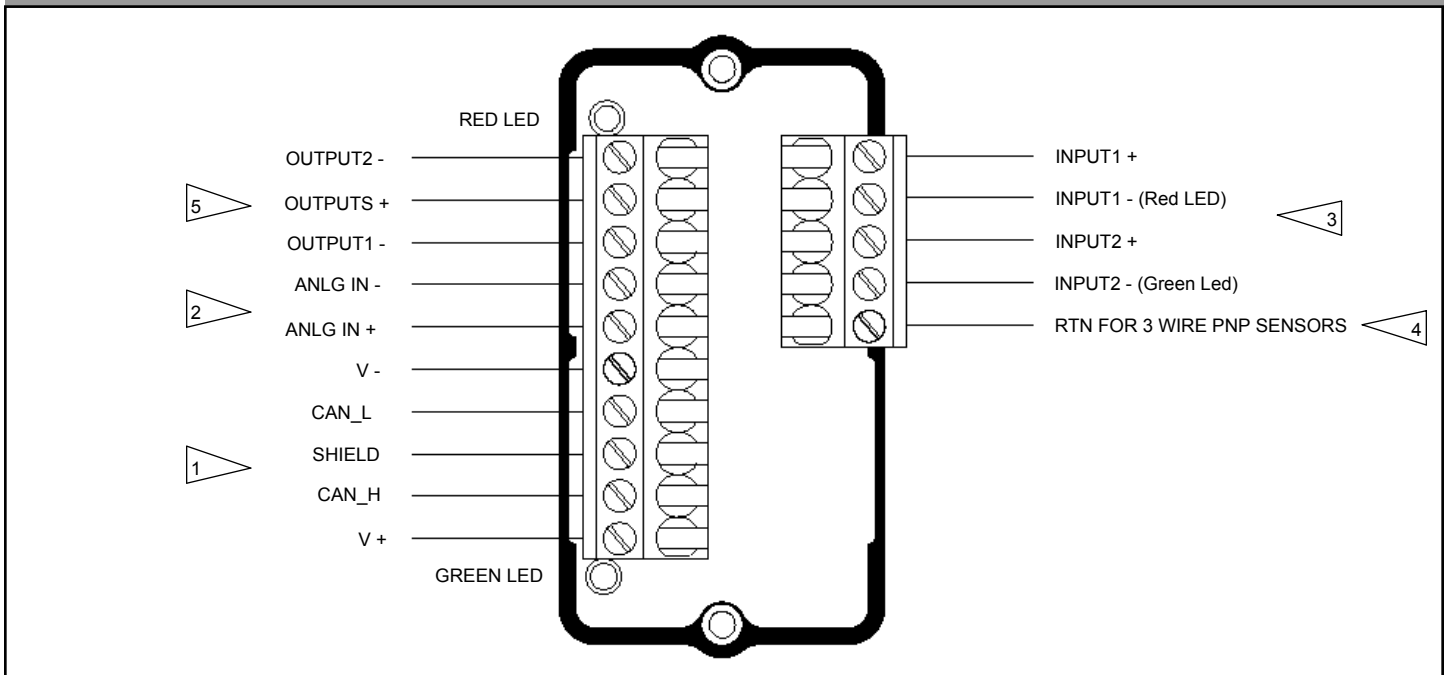
Telephone: 218.739.5774  
 Toll Free: 800.843.7866  
 Fax: 218.739.5776  
 E-mail: sales@stonel.com  
 Website: www.stonel.com

© 2001 StoneL Corporation

## DeviceNet 2 DI/2 DO/1 AI Input/Output Modules

<p>Operating Voltage 24 VDC via DeviceNet voltage</p> <p>Discrete Inputs (2) 7mA @ 24 VDC gold contact mechanical, low power reed, or 2 wire and 3 wire PNP solid state sensors</p> <p>Analog Input (1) Analog (4-20 mA) input. 8 bit resolution (0.4%)</p> <p>Outputs (2) 24 VDC - Bus Powered (4 Watts total power available)</p> <p>Current Usage 60mA (no I/O enabled)</p> <p>Default Address 63</p>	<p>Bit Assignment:</p> <p><b>Inputs: (3 Bytes)</b></p> <p>Bit 0 = Input 1 (Red)</p> <p>Bit 1 = Input 2 (Green)</p> <p>Bit 4 = Fault Bit (On if both Input 1 and Input 2 bits are set)</p> <p>Bits 8-15 = Analog Input (Low Byte)</p> <p>Bits 16-23 = Analog Input (High Byte)</p> <p>Temp Range -40° to +85° C (-23° to 185° F)</p> <p>Operating Life Unlimited</p> <p>Warranty Two Years</p>	<p><b>Outputs (1 Byte)</b></p> <p>Bit 0 = Output 1</p> <p>Bit 1 = Output 2</p>
--	---	--

## Input/Output Module Wiring Diagram and Installation Notes



### INSTALLATION NOTES:

1. DeviceNet bus communications connection points.
2. 24 VDC Bus powered Analog Input device connection points. (4-20mA)
3. Bus powered Discrete Input connection points for low power (7mA @ 24 VDC) gold contact mechanical switches, low power reed, or 2 wire and 3 wire PNP solid state proximity sensors (max allowable current leakage of sensors 0.165mA). Red LED is local indication of discrete Input 1 on/off status and the Green LED for discrete Input 2 on/off status.
4. Connection point for the "return" of 3 wire PNP sensors. (See Note 3)
5. Connection points for 24 VDC Bus powered Discrete Outputs (4 watts total power available) for low power solenoid valves and relays.