

Power conditioners

Model number

PS461089A
Redundant

PS465024A
Redundant; DIN

PS461090A
Daisy chain

PS465025A
Daisy chain; DIN



AS-Interface power conditioner

The AS-Interface power conditioner converts any 30VDC power source to an AS-Interface power supply by providing the data decoupling function. It may be used to power an AS-Interface segment with redundant power supplies or with remote placement of power supply.

This device can be used for

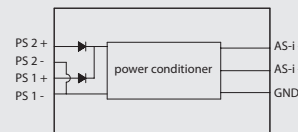
- Redundant power supplies for single AS-Interface segment
- Power multiple segments with 1 power supply
- Remote location of power supply (distance from power supply to power conditioner does not add to AS-i network length)



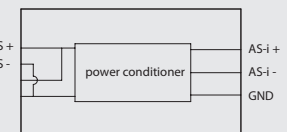
Specifications	
Connection	Redundant inputs (diode protection) Daisy chain inputs (common terminals)
Max voltage	35 VDC
Max current	3 amps
Input voltage	26 VDC to 32 VDC
Indication	Green LED indicates bus power is good ($\geq 26V$) Red LED indicates bus power is low ($<26V$)
Dimensions (L, W, H)	75mm, 26mm, 40mm
Operating temperature	-40° to +80°C (-40° to +176°F)

Schematic drawings

Redundant

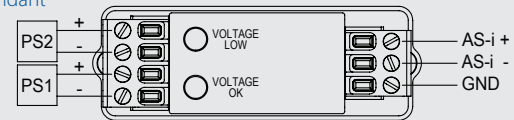


Daisy chain

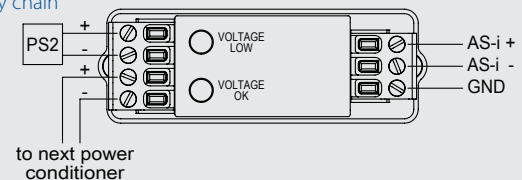


Wiring diagrams

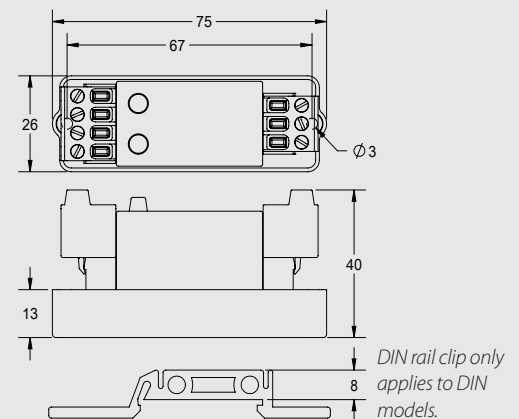
Redundant



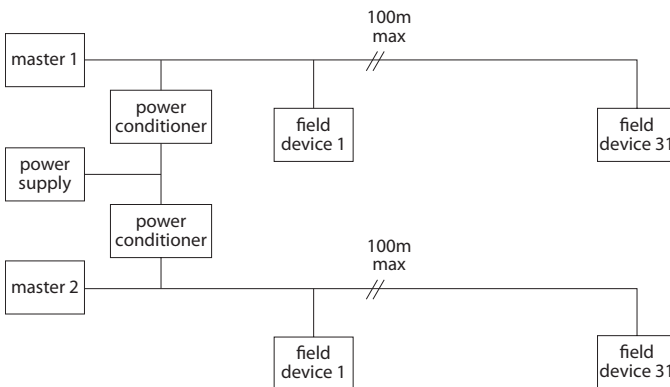
Daisy chain



Dimensions (mm)



Network 1



Network 2

