

Repeaters/network tuners

Model number
AC461091A
AC465026A (DIN)



AS-Interface repeater

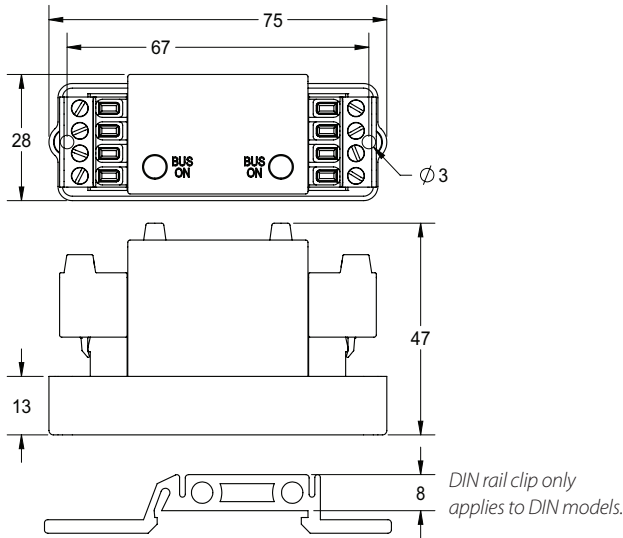
The AS-Interface repeater extends the AS-Interface network by 100 meters. The repeater requires no configuration and has no address on the bus. The repeater requires an AS-Interface power supply.



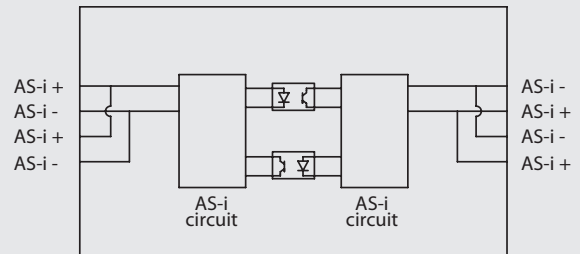
Specifications	
Operating voltage	AS-Interface voltage
Operating current	60mA (per segment) 120mA total
AS-Interface cycle time	0.15ms X (AS-i Slaves +1)
Indication	Green LED indicates bus power on each segment
Dimensions (L, W, H)	75mm, 28mm, 47mm
Operating temperature	-40° to + 80°C (-40° to 176°F)



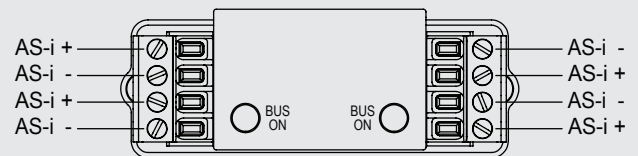
Dimensions (mm)



Schematic drawing



Wiring diagram



Network

