

## Drop connectors

Model number

**DR461117A**

**DR465009A (DIN)**

### Power protected drop switch (1 drop)

This disconnect switch is a compact drop connector for wiring DeviceNet networks. It has a disconnect switch that allows the user to disconnect a drop from the trunk. This device also provides current limiting on the power leg to prevent power losses.

#### Features

- Current limit on power drop
- Disconnects bus segment
- Direct mount or DIN rail mount available



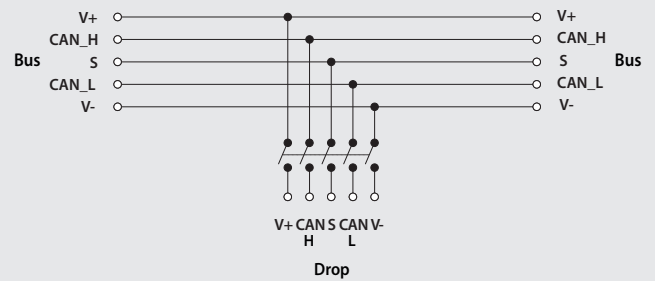
DeviceNet™

#### Specifications

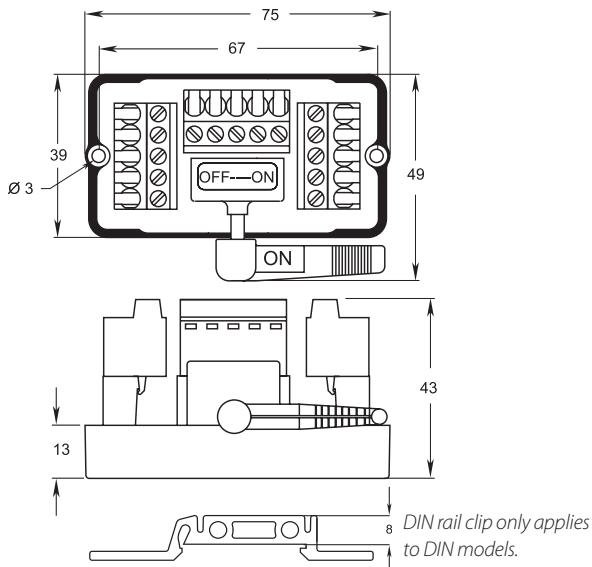
Maximum voltage	35 VDC
Maximum current (trunk)	8 amps
Voltage drop (trunk)	Negligible
Voltage drop (drop)	< 1V
Trip current (drop)	200 mA
Holding current (after trip)	28 mA
Reset current level	Current falls below 28 mA
Maximum devices per drop	1
Current consumption	None
Dimensions (L, W, H)	75mm, 49mm, 43mm
Housing	Engineered resin
Operating temperature	-40° to +80°C (-40° to +176°F)



#### Schematic drawing



#### Dimensions (mm)



#### Wiring diagram

