

## Repeaters/network tuners

Model number

**AC461142A**

**AC461150A (ETL)**



### AS-Interface network tuner

The AS-Interface tuner enables longer cable length and improves network communication quality. This tuner monitors the telegram traffic and adjusts its capacitive, inductive, and resistive characteristics to optimize communication. LEDs display network signal quality.

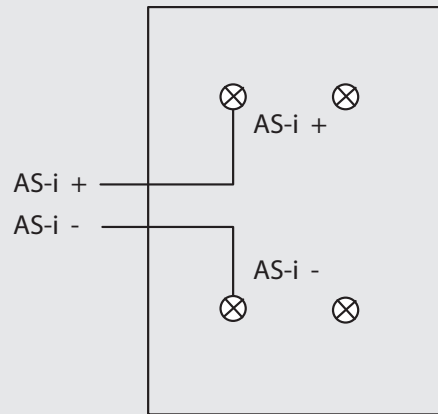
#### Features

- Extend AS-i networks
- Improve signal quality
- ETL approved for Class I Division 2 (AC461150A)
- LED indication
- Easy commissioning
- DIN rail mounting
- IP65



Specifications	
Device profile	Passive (no address)
Operating voltage	30 VDC AS-Interface voltage (AS-Interface power supply)
Operating current	60mA
Displays	Power: voltage ok green LED Tuning active: green LED Error: red LED Warning: yellow LED Green: green LED
Operating temperature	0° to +55°C (+32° to +131°F)
Storage temperature	-25° to +75°C (-13° to +167°F)
Housing	Engineered resin, DIN rail mounting
Housing dimensions (L, W, H)	80mm, 115mm, 65mm
Ingress protection	IP65
Weight	244g (0.54 pounds)
Approvals (AC461150A)	ETL approved Class I, Division 2, groups A, B, C, D

### Schematic drawing



### Network

