

Repeaters/network tuners

Model number
AC461144A



AS-Interface network terminator

The AS-Interface terminator enables longer cable length and improves network communication quality. The terminator applies a fixed capacitive, inductive, and resistive component to the network to optimize communication. Signal quality should be verified by an AS-Interface analyzer.

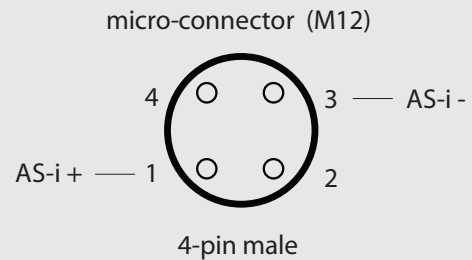
Features

- Extend AS-i networks
- Improve signal quality
- Simple LED indication
- M12 4pin connector
- IP65 housing

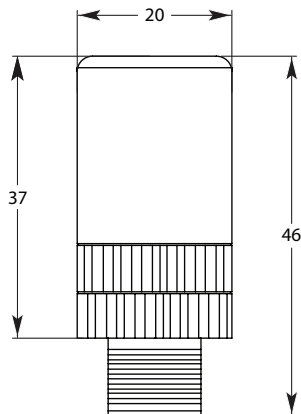


Specifications	
Device profile	Passive (no address)
Operating voltage	30 VDC AS-Interface voltage (AS-Interface power supply)
Operating current	10mA
Displays	AS-i voltage > 26V : green LED AS-i voltage > 18.5V : yellow LED
Operating temperature	0° to +55°C (+32° to +131°F)
Storage temperature	-25° to +75°C (-13° to +167°F)
Housing	Engineered resin, DIN rail mounting
Housing dimensions	20mm, 46mm (diameter, length)
Ingress protection	IP20
Weight	44g (0.10 pounds)

Schematic drawing



Dimensions (mm)



Network

