

Drop connectors (DIN)

Model number

DR465038A

Passive

DR465042A

Protected

DeviceNet™

Multi-drop connector (6 drops)

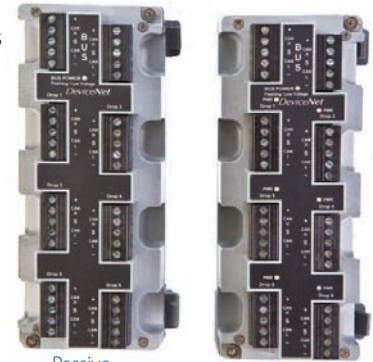
Drop connectors provide a reliable, safe method of connecting slave devices to the bus cable. Protected drop connectors limit the current passing from the bus to the power leg (V+) of the drop to prevent fault conditions on the drop from affecting the bus. DIN rail mounting is standard.

Passive

- 8 amp capacity
- LED indicates bus power

Power protected

- Short circuit protection
- LEDs indicate drop fault, bus power, and drop power
- Automatically resets when drop fault is cleared



Passive

Protected

Specifications

LED displays	Bus power on - green LED Drop power on - green LED (protected) Drop short circuit - red LED (protected)
--------------	---

Maximum voltage	35 VDC
-----------------	--------

Maximum current (trunk)	8 amp
-------------------------	-------

Voltage drop (trunk)	Negligible
----------------------	------------

Voltage drop (drop)	Passive: negligible Protected: <1 Volt
---------------------	---

Trip current (drop)	Passive: no trip current Protected: 240mA (on V+)*
---------------------	---

Holding current (after trip)	Passive: n/a Protected: 28mA
------------------------------	---------------------------------

Reset current level	Current falls below 28mA
---------------------	--------------------------

Current consumption	10mA for all nodes
---------------------	--------------------

Dimensions (L, W, H)	165mm, 72mm, 56mm
----------------------	-------------------

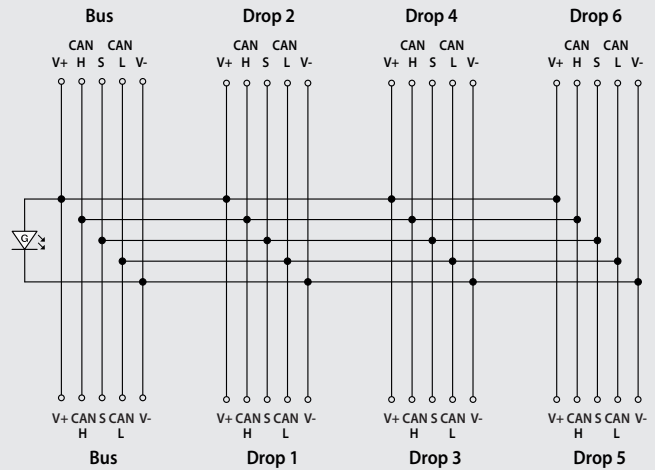
Housing	Engineered resin
---------	------------------

Operating temperature	-40° to +80°C (-40° to +176°F)
-----------------------	--------------------------------

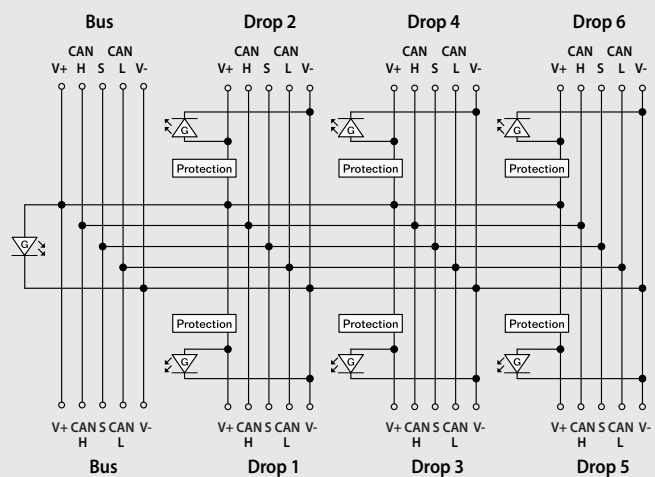
*Short circuit protection only on V+. Communication wires are passive.

Schematic drawings

Passive



Protected



Dimensions (mm)

