

Drop connectors (DIN)

Model number

DR465046A

Switched protected

Multi-drop connector (6 drops)

Drop connectors provide a reliable, safe method of connecting slave devices to the bus cable. Protected drop connectors limit the current passing from the bus to the power leg (V+) of the drop to prevent fault conditions on the drop from affecting the bus. DIN rail mounting is standard.

Switched power protected

- Disconnects each drop
- Short circuit protection on the power leg
- LEDs indicate drop fault, bus power, and drop power status
- Automatically resets when drop fault is cleared

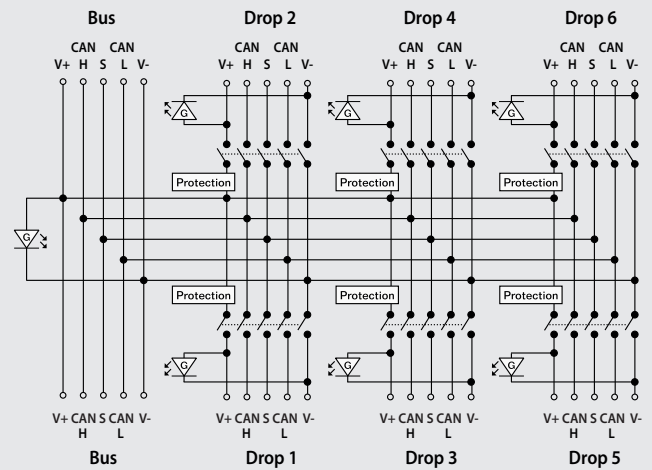


DeviceNet™

Specifications

LED displays	Bus power on - green LED Drop power on - green LED Drop short circuit - red LED
Maximum voltage	35 VDC
Maximum current (trunk)	8 amp
Voltage drop (trunk)	Negligible
Voltage drop (drop)	<1 Volt
Trip current (drop)	240mA (on V+)*
Holding current (after trip)	28mA
Reset current level	Current falls below 28mA
Current consumption	10mA for all nodes
Dimensions (L, W, H)	165mm, 72mm, 56mm
Housing	Engineered resin
Operating temperature	-40° to +80°C (-40° to +176°F)
*Short circuit protection only on V+. Communication wires are passive.	

Schematic drawing



Dimensions (mm)

