

Masters and gateways

Model number
GW458096A
GW458122A (ETL)



Dual channel AS-Interface to DeviceNet gateway and single power supply feature

The dual channel AS-Interface/DeviceNet gateway serves to connect the AS-Interface to a DeviceNet network. The gateway acts as a complete master for two AS-Interface networks and as a slave for DeviceNet (group 2 slave only). All AS-Interface functions can be called up via DeviceNet.

Features

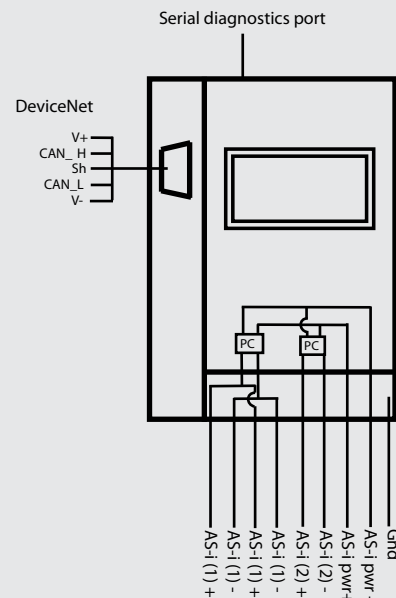
- Duplicate address detection
- AS-Interface peripheral fault diagnostics
- Version 3.0 master-compatible with all 2.0-3.0 slaves and 7.3 profile analog modules
- Serial diagnostics port: see SW462008A for cable and software
- ETL approved Class I Division 2 (GW458122A)
- Single power supply for 2 networks



Specifications	
AS-Interface master version	3.0
Interface	DeviceNet
Operating current	250mA
Operating voltage	30 VDC, requires (1) 30 VDC power supply
AS-Interface cycle time	Cycle time = 150 microsec. x (AS-Interface slaves +2)
Displays	LCD display DeviceNet voltage on, green LED AS-Interface power on, green LED Module/Net Status (MNS), green/red LED Serial communication active, green LED Configuration error, red LED AS-Interface voltage normal, green LED AS-Interface normal operation, green LED Automatic address program enabled, green LED Master in configuration mode, yellow LED
Operating temperature	0° to +55°C (+32° to +131°F)
Storage temperature	-25° to +85°C (-13° to +185°F)
Housing	Stainless steel, DIN rail mounting
Dimensions (L, W, H)	120mm, 85mm, 83mm
Ingress protection	IP20, field enclosure required
Weight	590g (1.3 pounds)
Approvals (GW458122A)	ETL approved Class I Division 2, groups A,B,C,D



Schematic drawing



Graphical display

The interactive graphical display on this gateway enables the entire AS-Interface network to be commissioned and the connected devices to be completely tested without a PC, PLC or host system. It also enables the user to complete all tasks previously requiring the "AS-Interface Control Tools" software package or hand-held. This allows for simpler and faster commissioning.

Features

- Set device addresses
- Test inputs and outputs
- Perform network diagnostics
- View error counter