

## Masters and gateways

Model number  
**GW458164A**



### Dual channel AS-Interface to Ethernet (EtherNet/IP and Modbus TCP) with single power supply feature

This dual channel AS-Interface/Ethernet gateway interfaces (2) AS-Interface network to the Ethernet network. The gateway acts as a master for the AS-Interface network and as a node on the Ethernet network.

#### Features

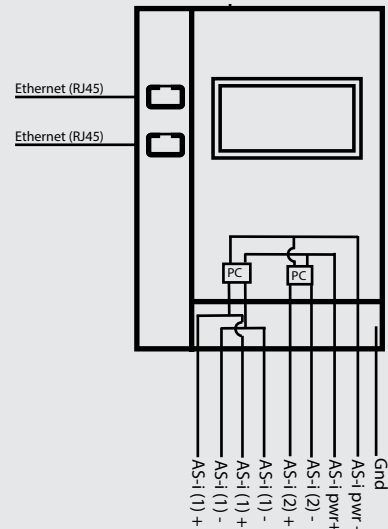
- Gateway works with Ethernet/IP and Modbus/TCP
- Integrated Ethernet switch
- Device level ring (DLR) Ethernet/IP
- Version 3.0 master
- Ethernet web server for diagnostics
- Single power supply for 2 AS-i networks
- Chip card for storing configuration



Specifications	
AS-Interface master version	3.0
Interface	RJ45 10/100 MBaud Ethernet, integrated switch
Operating current	250mA
Operating voltage	30VDC
Baud rate	10/100 MBaud
AS-Interface cycle time	150 microsec x (AS-i slaves +2)
Displays	LCD display AS-i channel 1/2, green LED Ethernet active, green LED Config error, red LED Voltage ok, green LED AS-i ok, green LED Auto address enabled, green LED Config mode, yellow LED
Operating temperature	0° to 55°C (32° to 131°F)
Dimensions (L,W,H)	120mm, 85mm, 83mm
Ingress protection	IP20, field enclosure required
Weight	500g



### Schematic drawing



### Graphical display

The interactive graphical display on this gateway enables the entire AS-Interface network to be commissioned and the connected devices to be completely tested without a PC, PLC or host system. It also enables the user to complete all tasks previously requiring the "AS-Interface Control Tools" software package or hand-held. This allows for simpler and faster commissioning.

#### Features

- Set device addresses
- Test inputs and outputs
- Perform network diagnostics
- View error counter