

Input/relay output modules

Model number

IO96Y11FA
Interlocking

IO96W11FA (DIN)
Interlocking

IO96Y08FA
Independent

IO96W08FA (DIN)
Independent



Input/output module with externally-powered relay outputs

This I/O module is designed to function as an AS-Interface node with termination points for connecting switches/sensors, as well as relay outputs to operate devices like motors and other high power devices. Available with interlocked outputs to operate AC motors, or independent outputs to operate independent AC loads.

Features

- Four (4) discrete inputs
- Two (2) relay outputs and two (2) discrete outputs
- LED input and output displays
- Direct mount or DIN rail mount available



Specifications	
AS-Interface profile	ID = F, I/O = 7 (4DI, 4DO)
Discrete inputs	(4) 3mA @ 28VDC gold contact mechanical, low power reed, or proximity sensor
Discrete outputs (relay)	independent (2) 120/250VAC fused @ 2A independent for other AC loads
	interlocking (2) 120/250VAC fused @ 2A interlocked for motor operation
Bus powered outputs	(2) 28VDC (4 watts total power available)
Operating voltage	AS-Interface voltage
Current consumption	<40mA (with no outputs energized)
Indication	(4) input state LEDs (green) (4) output state LEDs (green) (1) AS-i power OK LED (green)
External voltage (relay outputs)	Up to 250 VAC; 30 VDC
Dimensions (L, W, H)	100mm, 67mm, 63mm
Housing	Engineered resin
Operating temperature	-40° to +80°C (-40° to +176°F)

AS-Interface profile and data locations

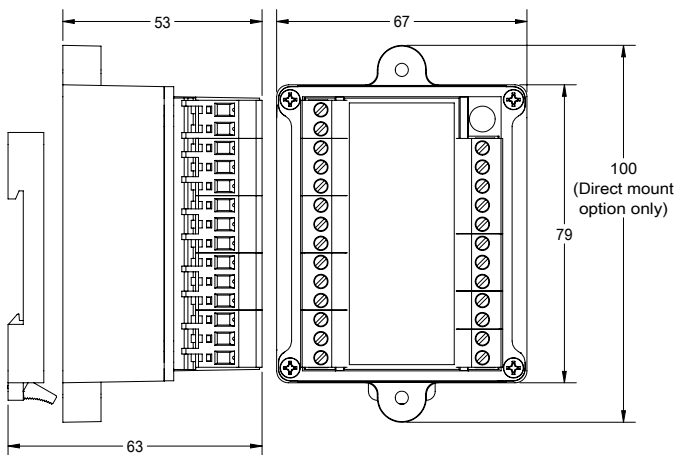
Input data

- Input 0 = DIO
- Input 1 = DI1
- Input 2 = DI2
- Input 3 = DI3

Output data

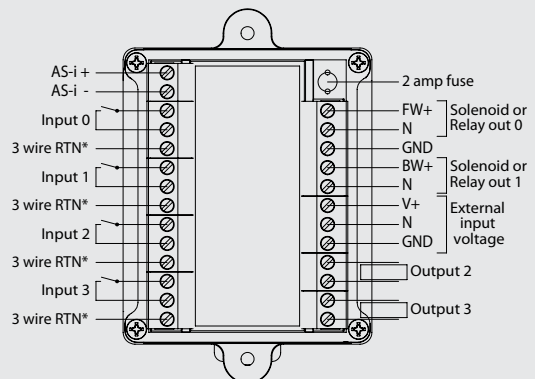
- Relay output 0 = DO0
- Relay output 1 = DO1
- Output 2 = DO2
- Output 3 = DO3

Dimensions (mm)



DIN rail clip only applies to DIN models

Wiring diagram



*Only for use with 3 wire PNP sensors